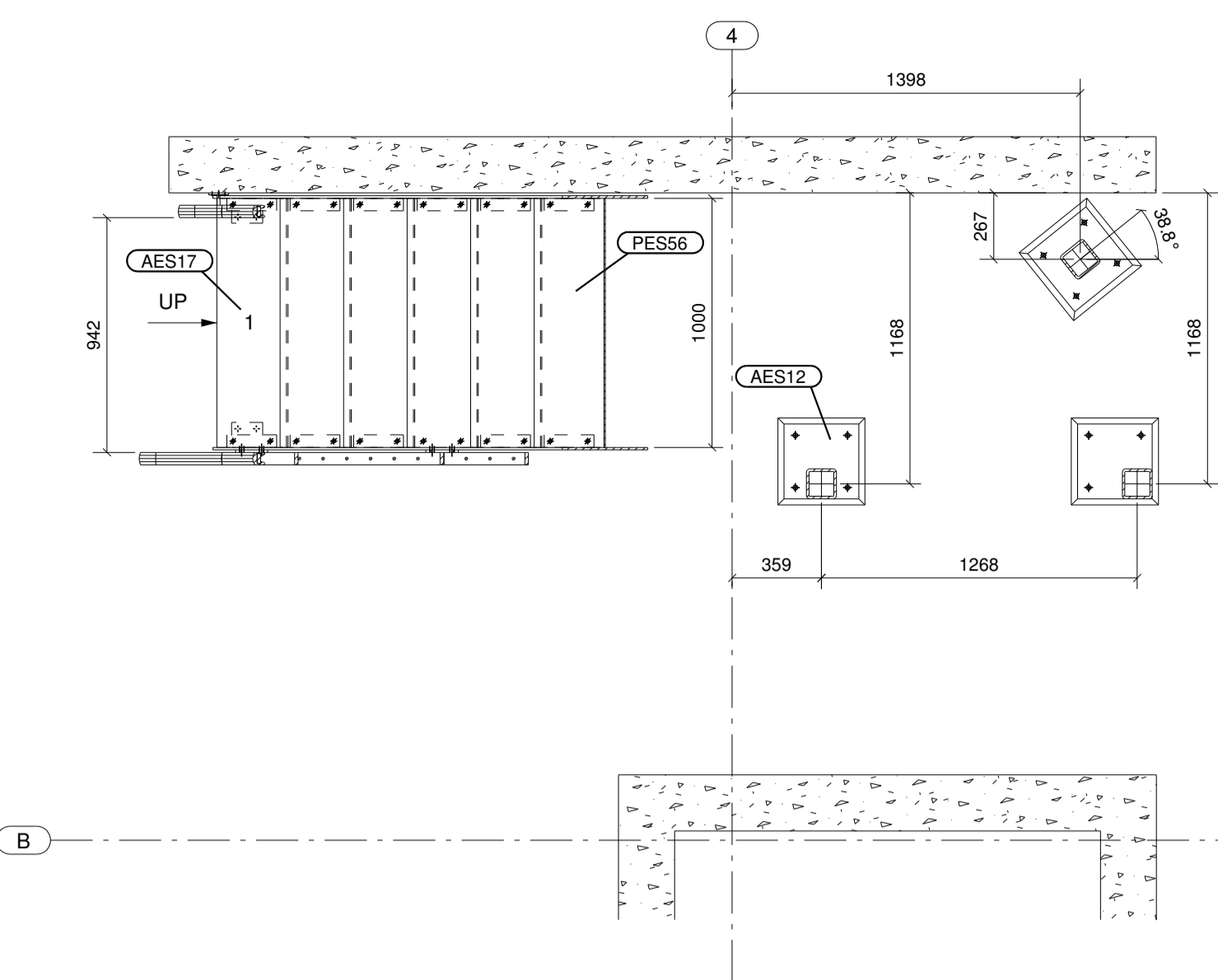
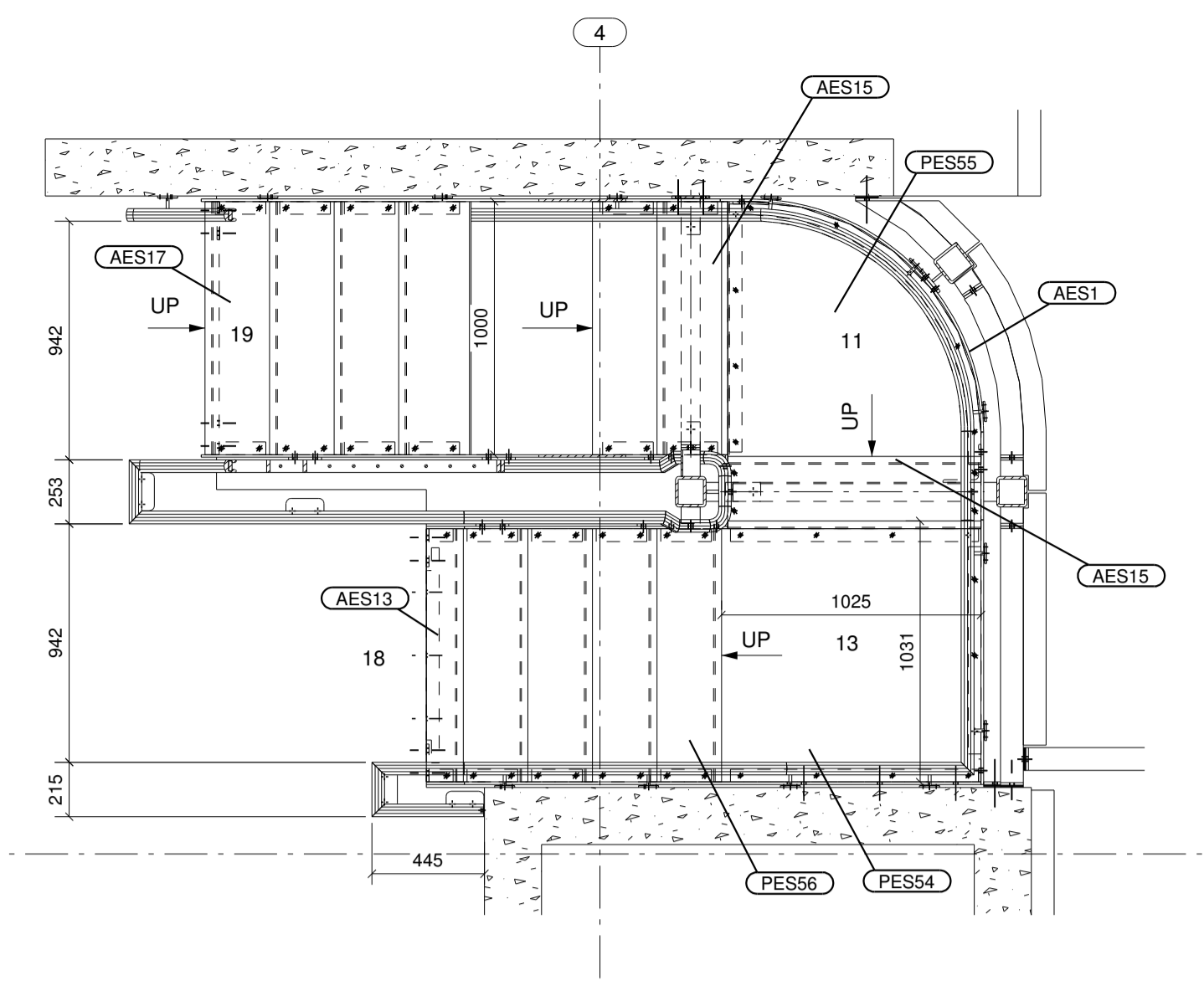


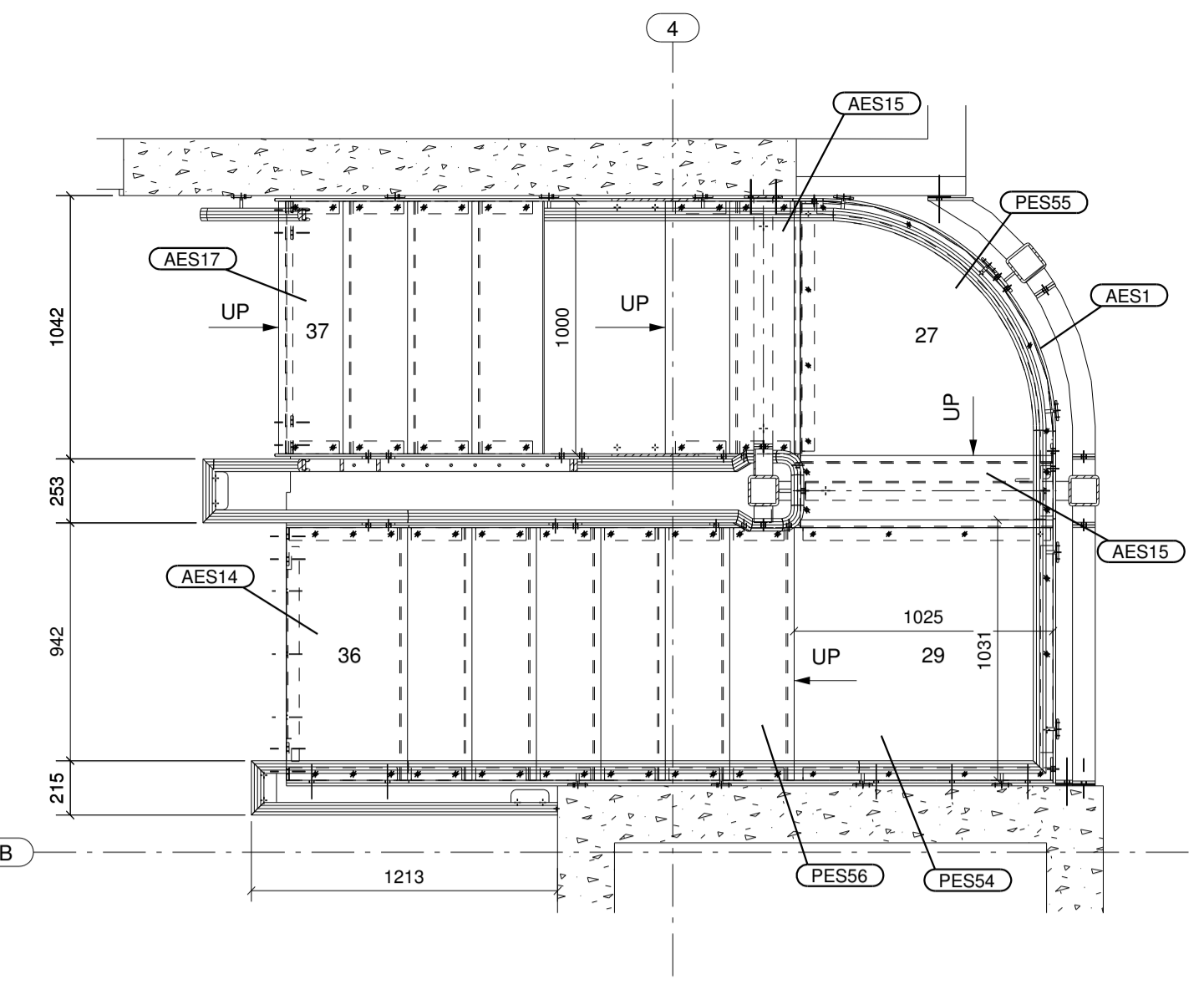
- GENERAL NOTES** CSK HOLES NS FIS
- 1. ALL DIMS IN MILLIMETRES UNO
  - 2. RADIUS ALL NOTCHES
  - 3. GENERAL TOLERANCE IS +/- 2MM UNO
  - 4. REMOVE ALL BURRS AND SHARP EDGES
  - 5. STRUCTURAL STEEL GRADE - S275
  - 6. STRUCTURAL STEEL FINISH - PRIMED
  - 7. ALL BOLTS GRADE 8.8
  - 8. STRINGER MS FLT 200\*10
  - 9. TREADS MS 6mm THK CHEQUERED PLT
  - 10. BALUSTRADE: POST MS FLT 50\*15THK INFILLS DIA 12mm SOLID BAR TOP & MED RAIL MS FLT 50\*9 TOPRAIL & WALLRAIL MS FLT 40\*8, FITTED WITH PLASTIC CAPPING
  - 11. STAIR SPEC GOINGS 255mm RISE 183.33 PITCH 35.7 DEGREES



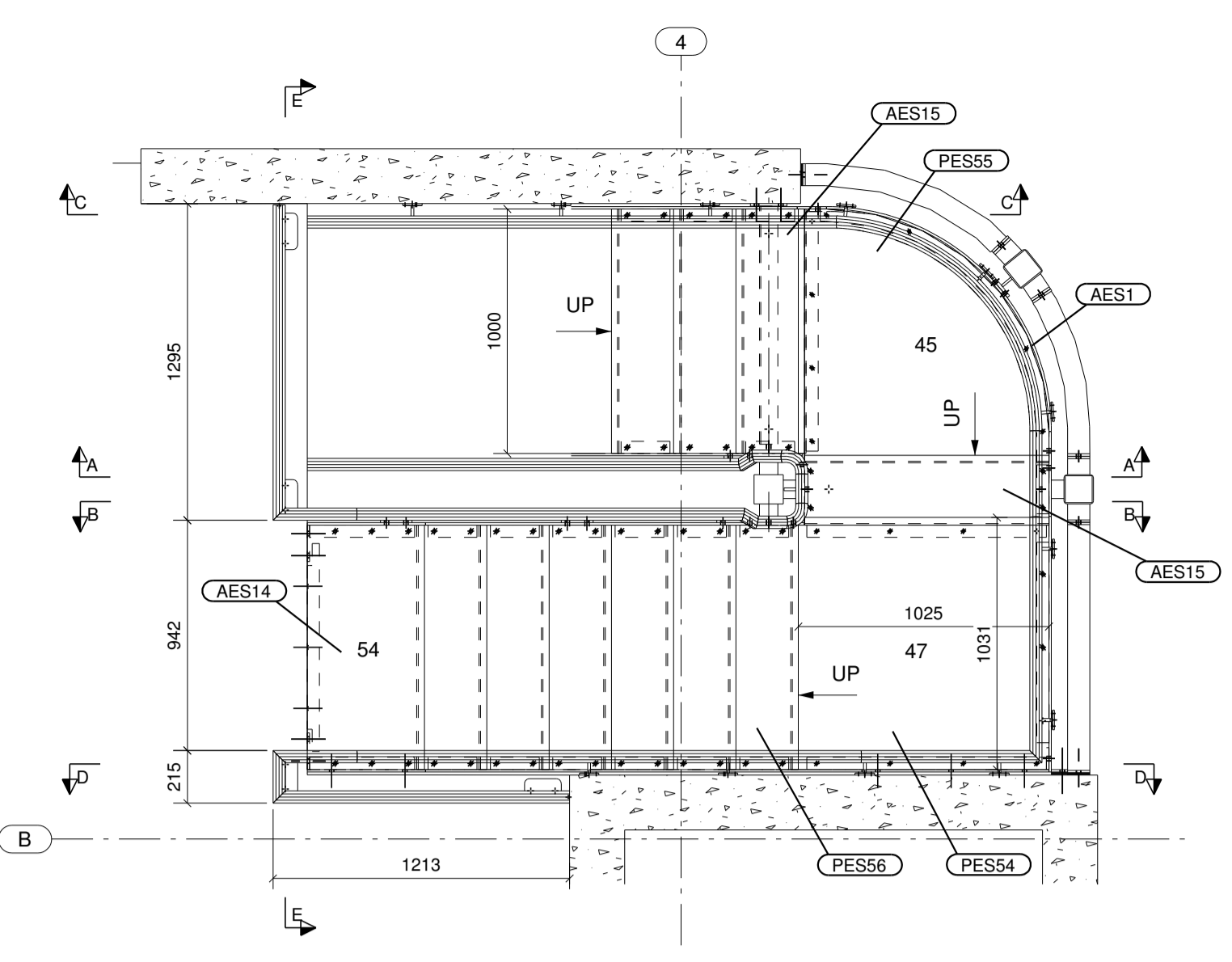
Plan (GRD)SSL+4.507  
1:25



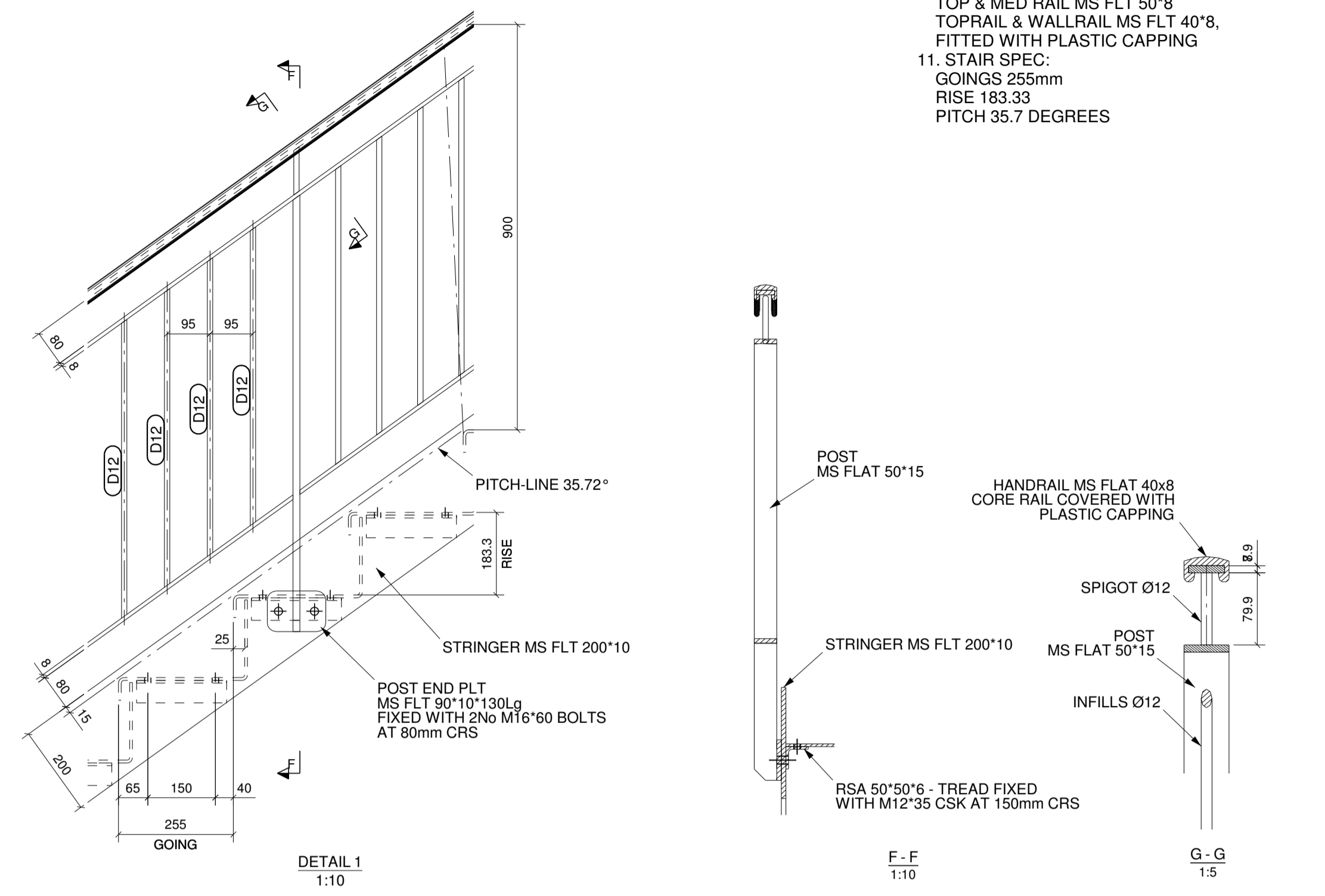
Plan (1)SSL+7.807  
1:25



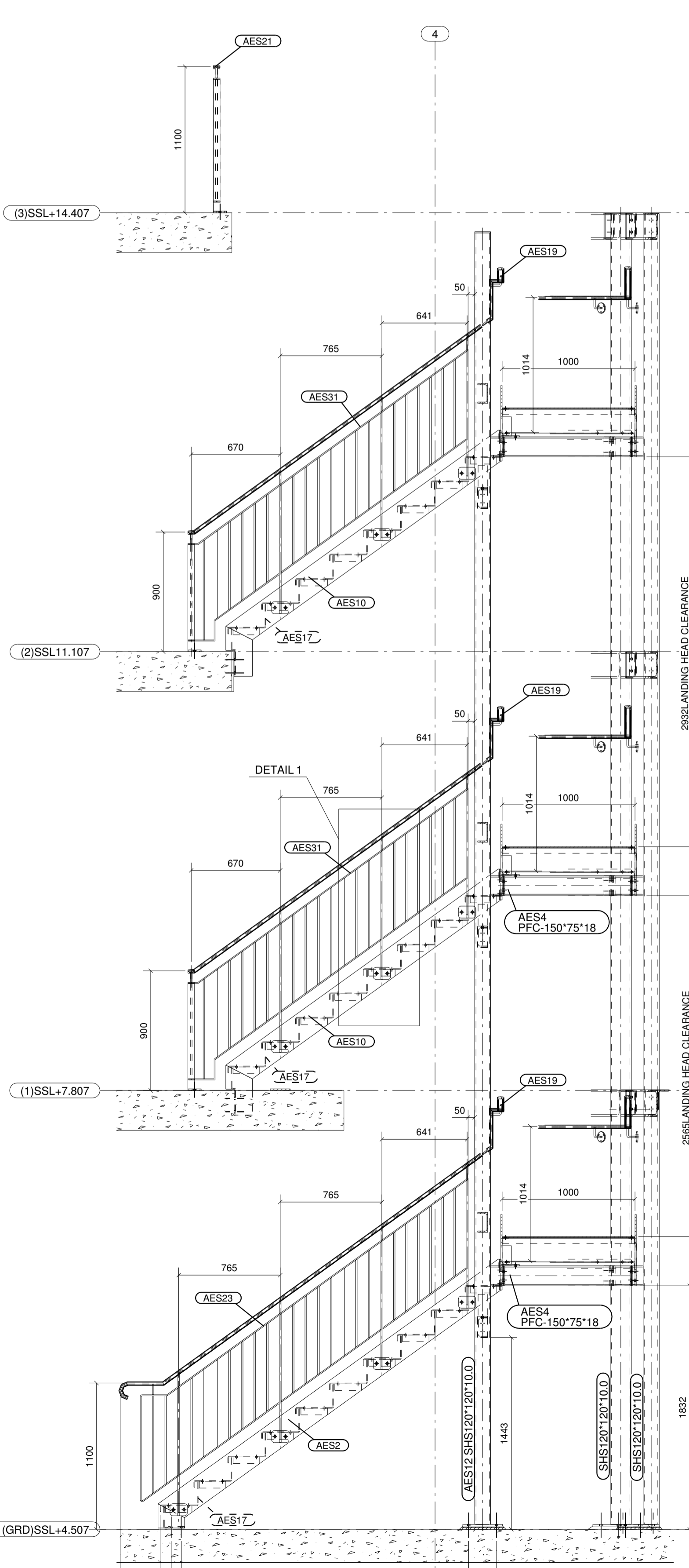
Plan (2)SSL+11.107  
1:25



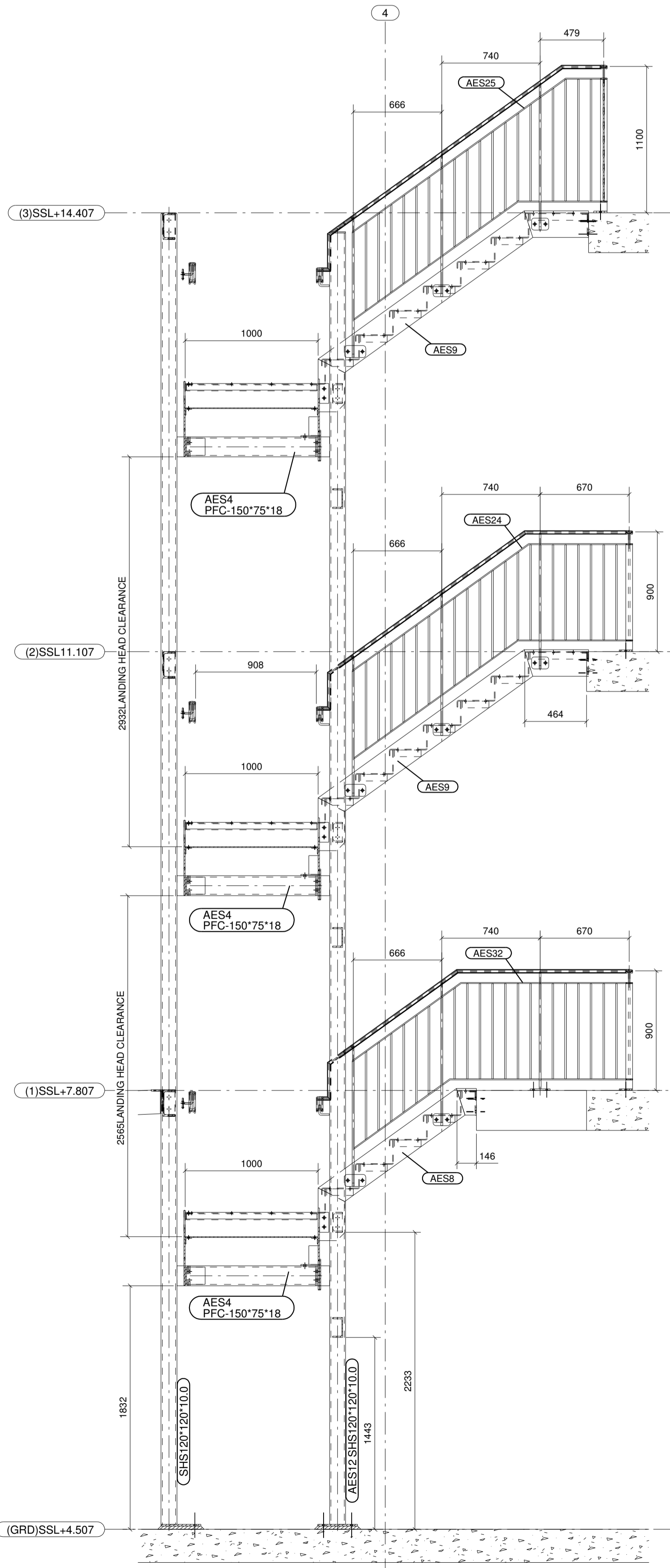
Plan (3)SSL+14.407  
1:25



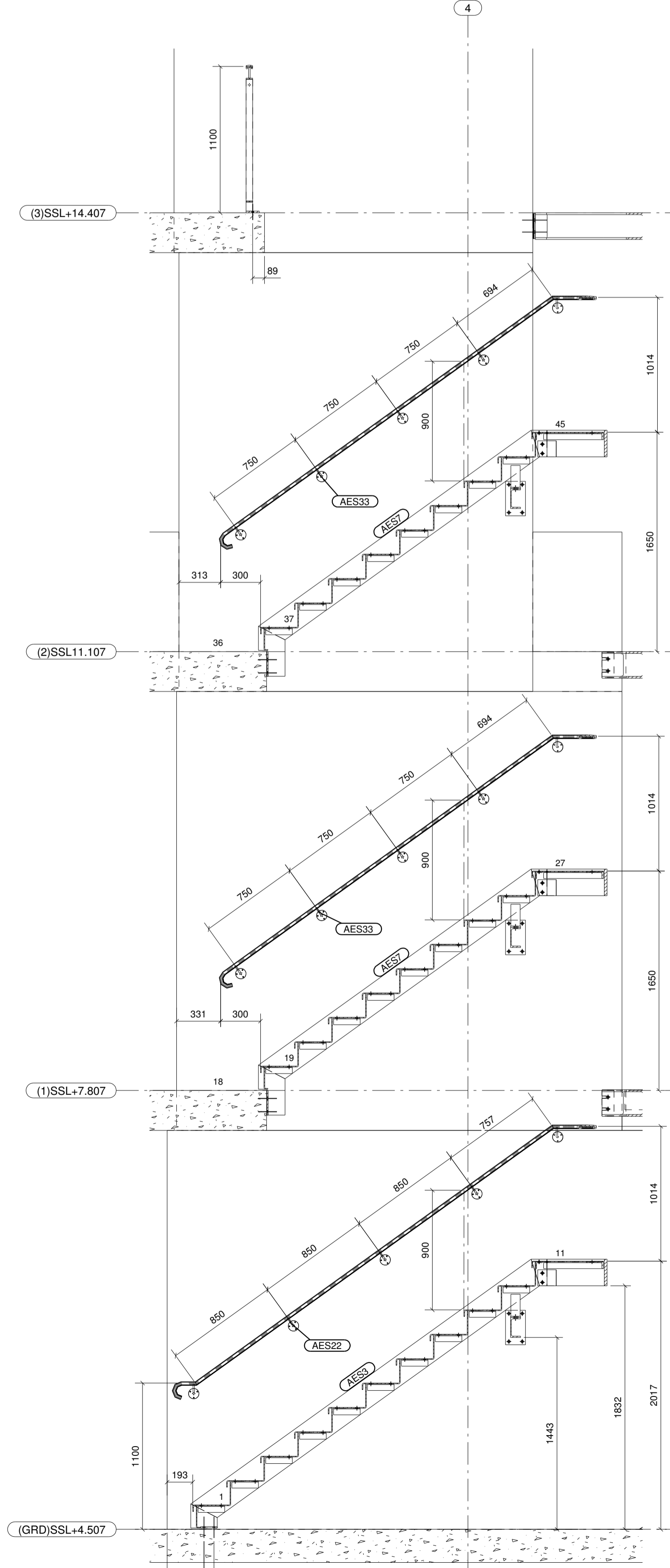
TYPICAL WALL RAIL MOUNTING BRACKET SCALE 1:5



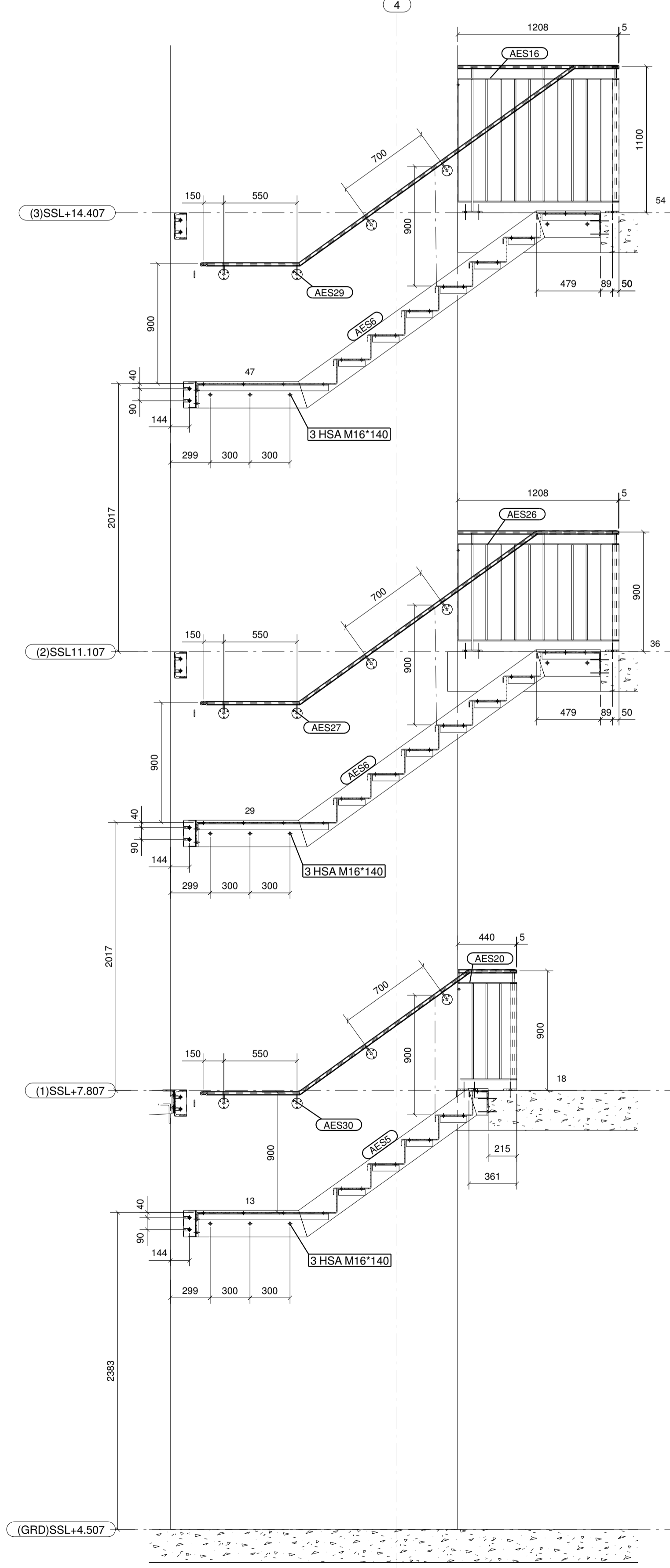
A-A  
1:25



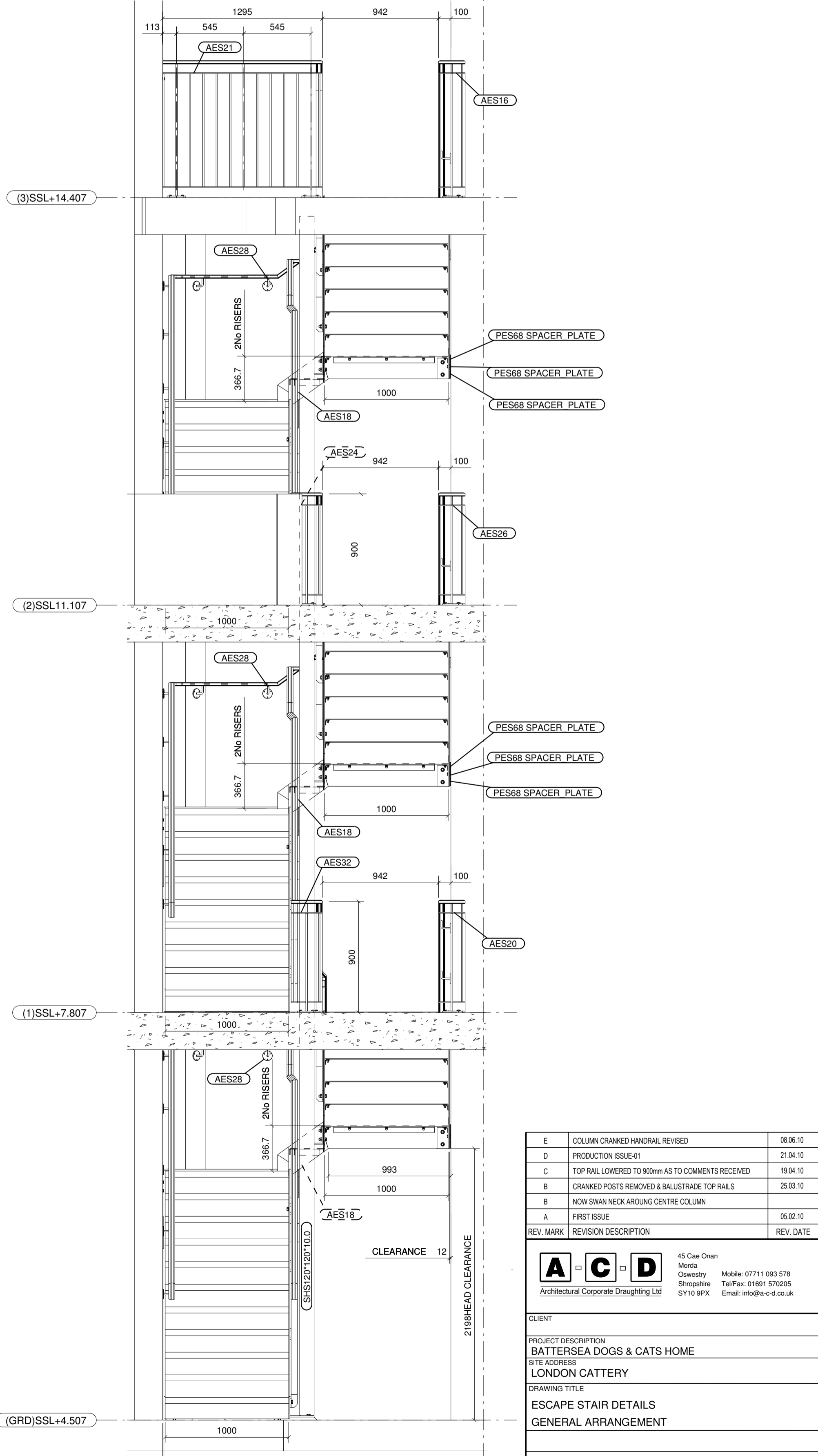
B-B  
1:25



C-C  
1:25



D-D  
1:25



E-E  
1:25

REV	MARK	REVISION/DESCRIPTION	REV DATE
E		COLUMN DRAWN-HANDRAIL REVISED	08.09.10
D		PRODUCTION ISSUE-01	21.04.10
C		TOP RAIL CHANGED TO 50MM AS TO COMMENTS RECEIVED	15.04.10
B		CRANKED POSTS REMOVED BALUSTRADE TOP RAILS	25.03.10
A		NOW SHOWN NECK-AROUND CENTRE COLUMN	05.02.10
		FIRST ISSUE	05.02.10

**ACD** 45 Can Chan  
Architectural Corporate Drafting Ltd  
Mobile: 07711 090 578  
Fax: 01885 570028  
Email: info@acd-co.uk

PROJECT DESCRIPTION: BATTERSEA DOGS & CATS HOME  
SITE ADDRESS: LONDON CATTERY  
DRAWING TITLE: ESCAPE STAIR DETAILS  
GENERAL ARRANGEMENT

SCALE: 1:10 1:25 1:5  
DRAWN BY: Andy Curran  
CHECKED BY: CMC Mike Ryan  
ACD REF No: A/C-D-047-06A  
Welds: 6mm F.W. Full profile U.S.C.

CONTRACT NAME: Mike Ryan  
DRAWING CREATION DATE: 05.02.2010  
CONTRACT No: 16502  
REVISION: E

Material to BS4360. Grade. See Spec  
Surface Finish / Prep. See Spec