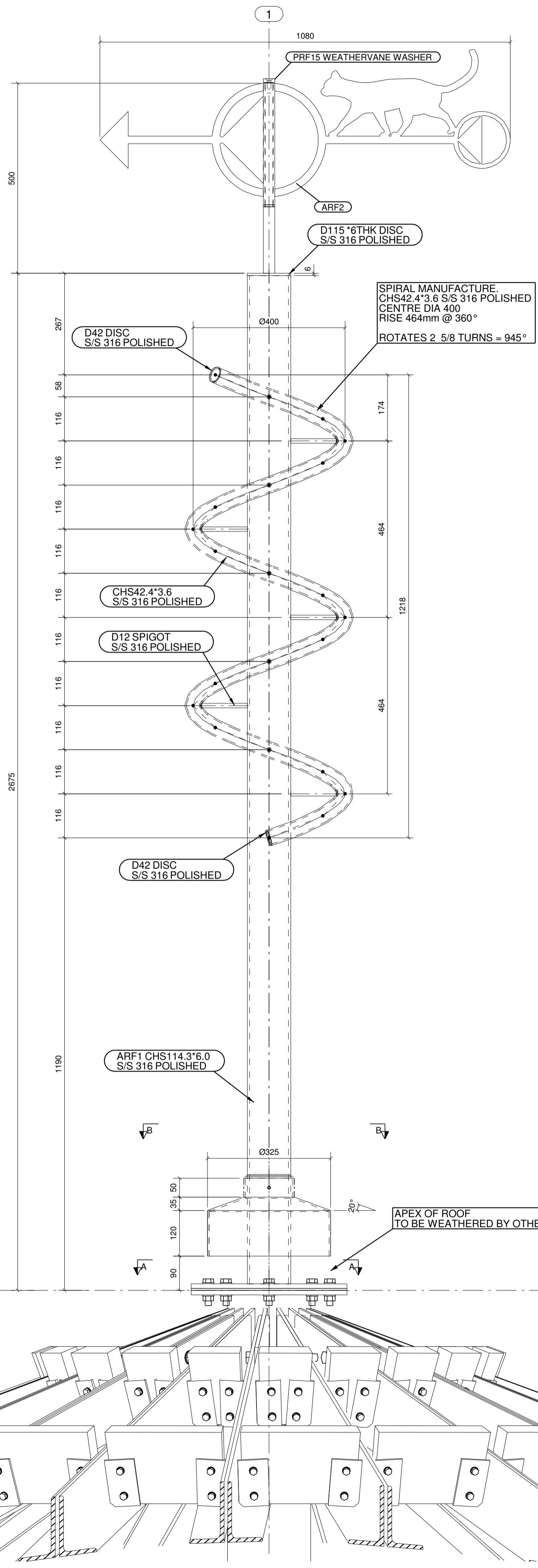
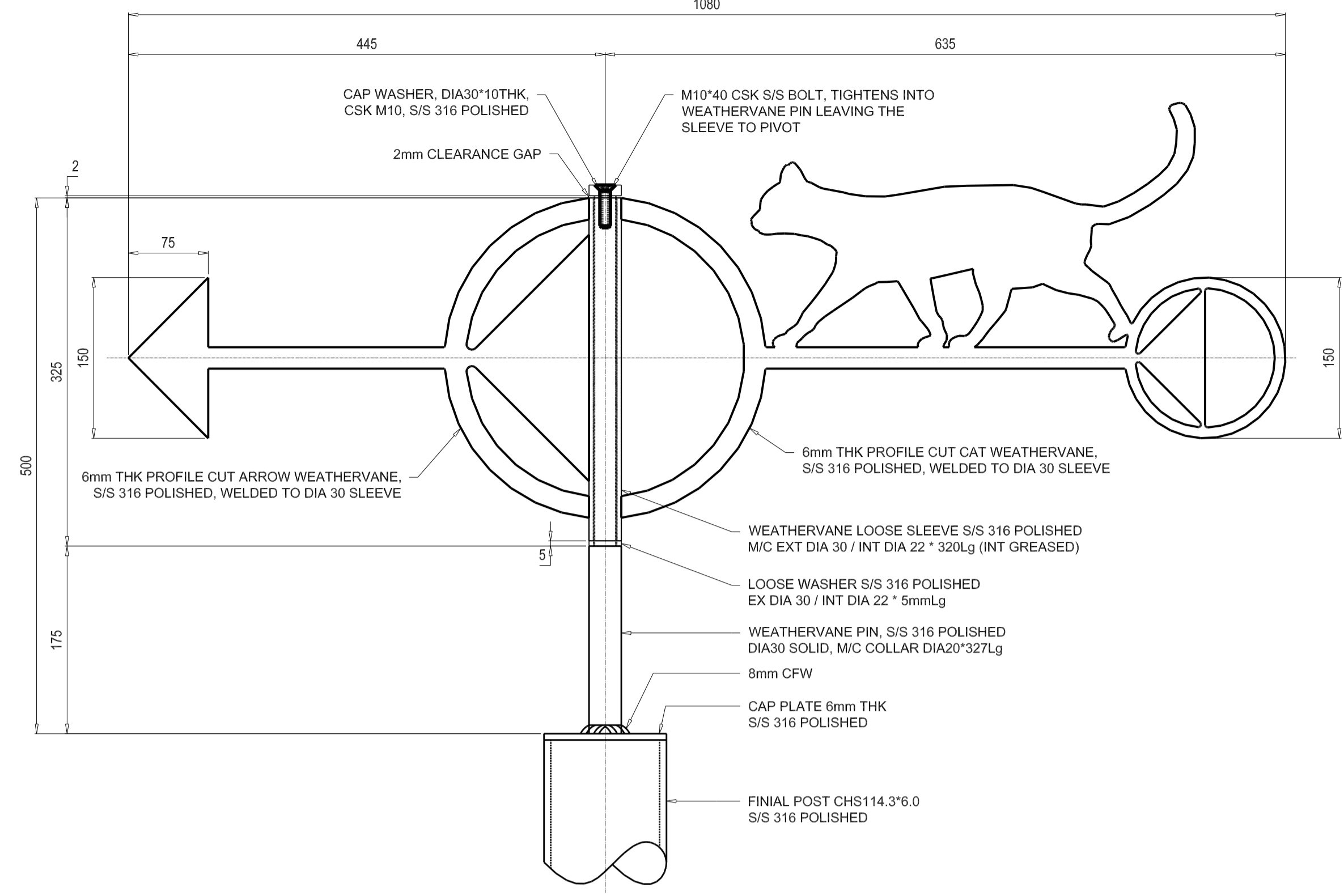


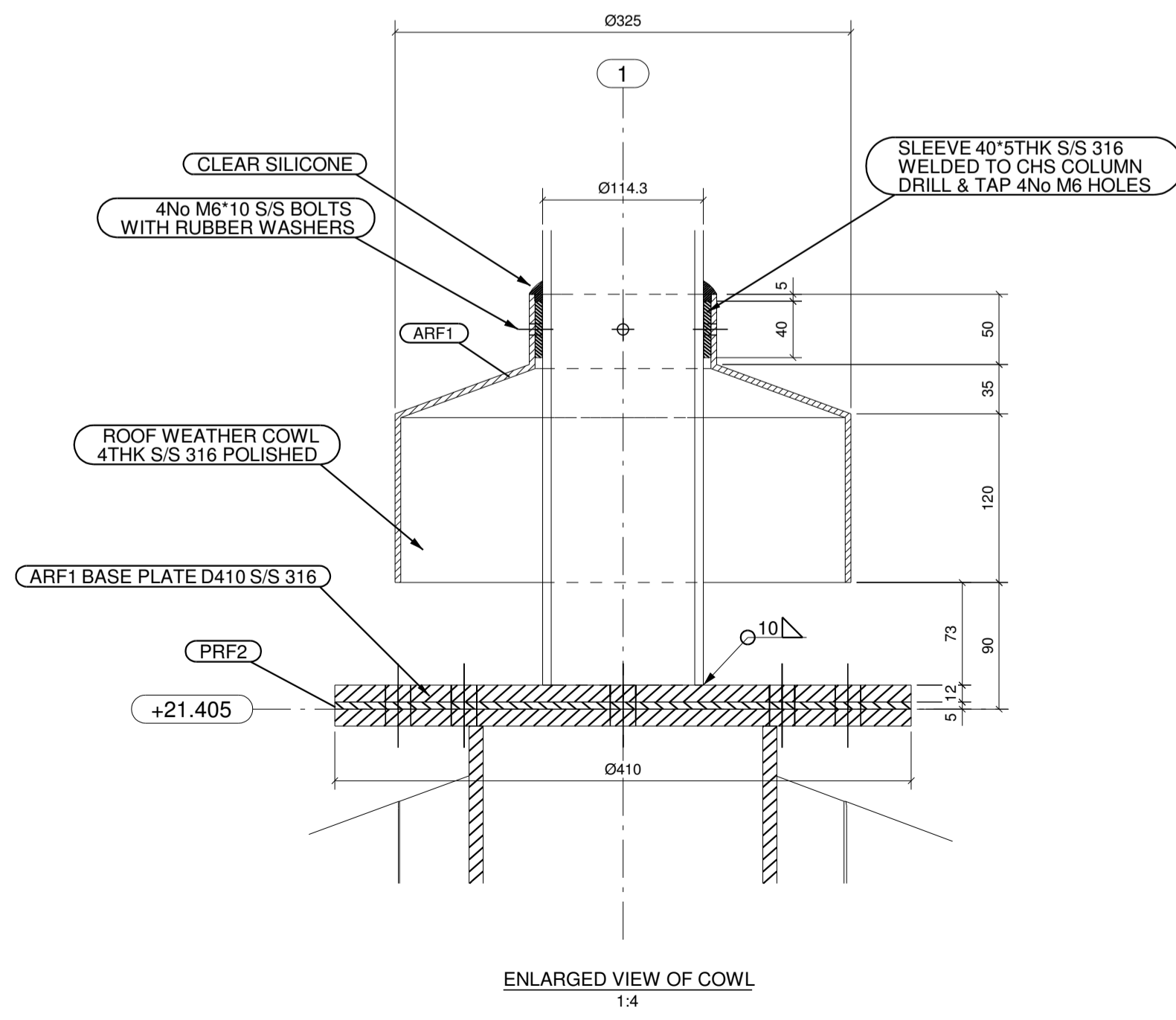
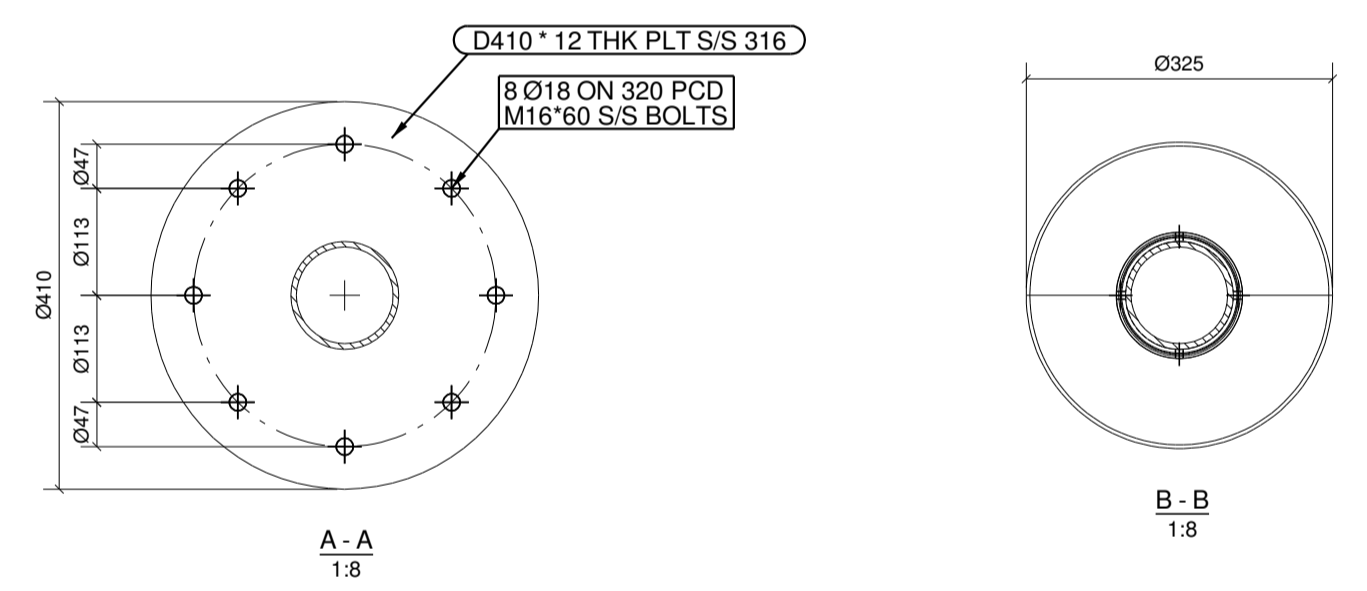
GENERAL NOTES CSK HOLES N/S F/S
 DENOTES ERECTION MARK LOCATION - FOR ORIENTATION
 1. ALL DIMS IN MILLIMETRES UNO
 2. RADIUS ALL NOTCHES
 3. GENERAL TOLERANCE IS +/-2 MM UNO
 4. REMOVE ALL BURRS AND SHARP EDGES



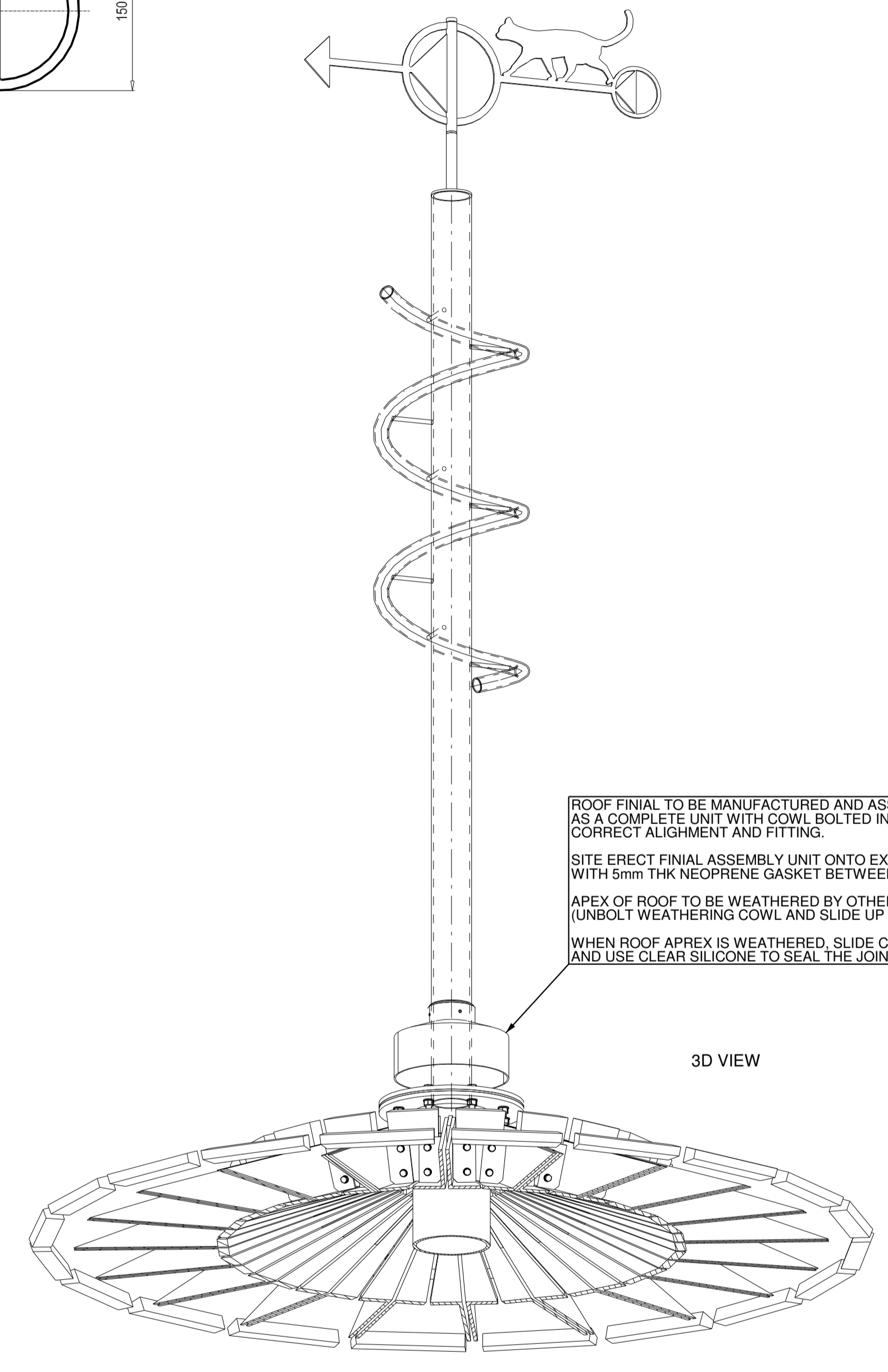
SPIRAL MANUFACTURE
CHS42.4*3.6 S/S 316 POLISHED
CENTRE DIA 400
RISE 464mm @ 360°
ROTATES 2 5/8 TURNS = 945°



ENLARGED VIEW OF WEATHERVANE DETAILS
SCALE 1:4



ENLARGED VIEW OF COWL
SCALE 1:4



B	PRODUCTION ISSUE-01	10.04.10
A	1ST ISSUE	27.02.10
REV MARK	REVISION DESCRIPTION	REV. DATE
45 Cae Onan Morda Oswestry Mobile: 07711 093 578 Shropshire Tel/Fax: 01691 570205 SY10 9PX Email: info@e-c-d.co.uk		
CLIENT		
PROJECT DESCRIPTION BATTERSEA DOGS & CATS HOME		
SITE ADDRESS LONDON CATTERY		
DRAWING TITLE FEATURE ROOF FINIAL		
SCALE 1:12 1:4 1:8		
DRAWN BY Andy Curran		CONTACT NAME Mike Ryan
CHECKED BY		DRAWING CREATION DATE 28.02.2010
ACD REF No: A-C-D-047-01A		CONTRACT No: 16502
REVISION B		
DRAWING No: BS(16502)5012		

Material to BS4360, Grade - See Spec
Surface Finish / Prep:- See Spec
Welds:- 6mm F.W. Full profile U.S.O.