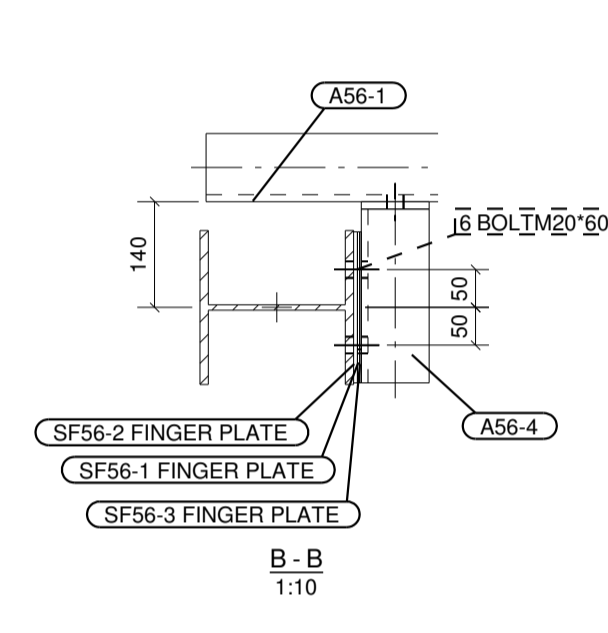
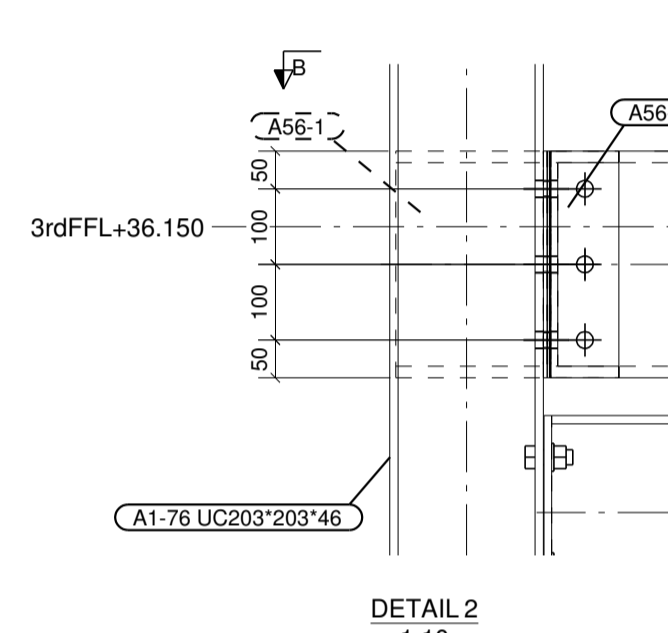
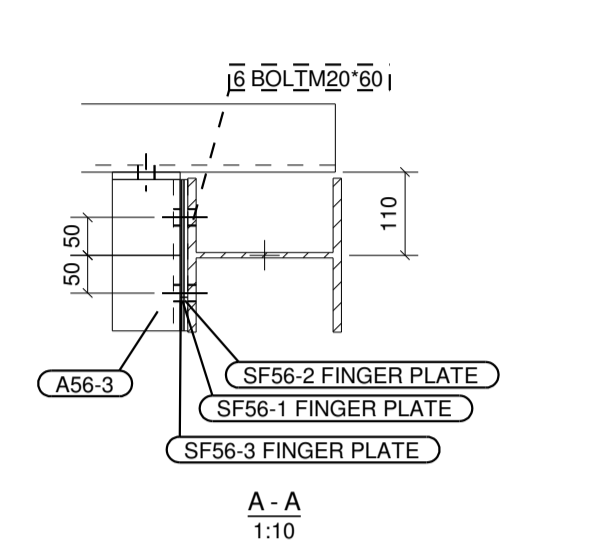
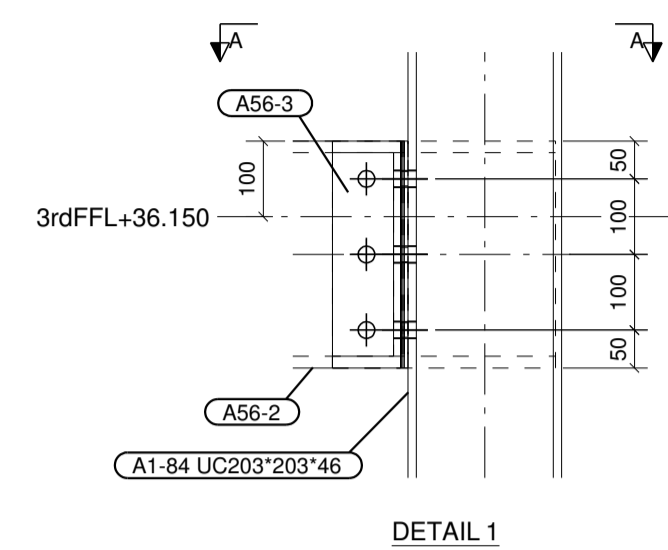
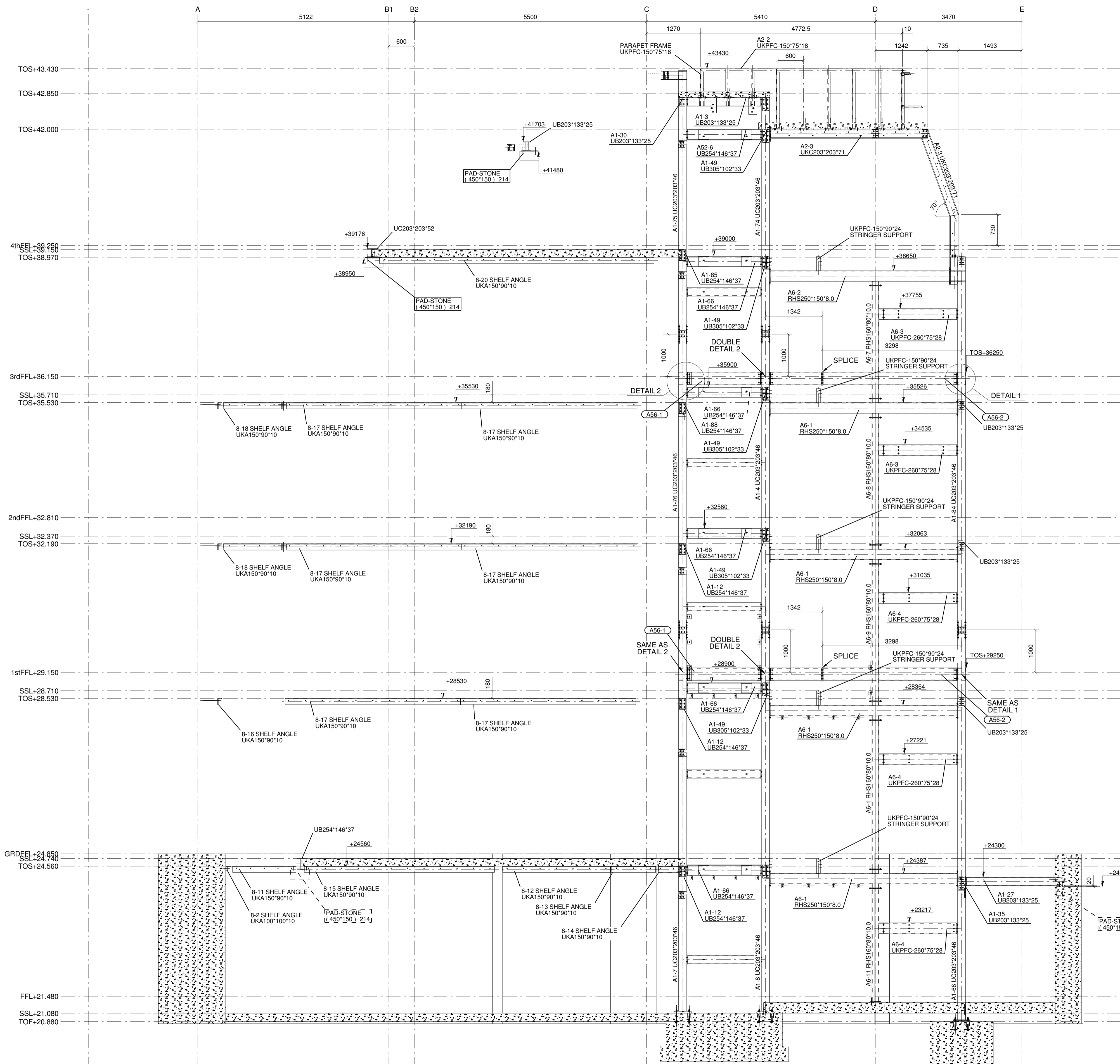


1. ALL DIMS IN MILLIMETRES UNO
2. RADIUS ALL NOTCHES
3. GENERAL TOLERANCE IS 0.3 MM UNO
4. REMOVE ALL BURRS AND SHARP EDGES
5. ALL STEEL GRADE S275
6. ALL FITTINGS GRADE S275
7. ALL BOLTS GRADE 8.8



REV. MARK	REVISION DESCRIPTION	REV. DATE
5	PFC'S REVISED	16.07.11
4	PFC'S ADDED-DETAIL 1 & 2	06.04.11
3	PART MARKS ADDED	16.03.11
2	LVL 4 & ROOF ADDED / FOR APPROVAL	27.02.11
1	LVL 2 & 3 ADDED / FOR APPROVAL	17.02.11
0	FOR APPROVAL	06.02.11

A C D
Architectural Corporate Drafting Ltd
9 Malthouse Close
Whittington
Oswestry
Shropshire
SY11 4NA
Mobile: 07711 093 578
Tel/Fax: 01691 654451
Email: info@a-c-d.co.uk

CLIENT: SKANSKA
PROJECT DESCRIPTION: 1-5 POLAND STREET
SITE ADDRESS: LONDON
DRAWING TITLE: STRUCTURAL MAIN BUILDING
GRID 1
GENERAL ARRANGEMENT

SCALE: 1:10
DRAWN BY: Andy Curran
CHECKED BY: A. G.
CONTACT NAME: Andrew Gamblen
DRAWING CREATION DATE: 04.02.2011

Material to BS4360. Grade - See Spec	CONTRACT No: C/10751	REVISION: 5
Surface Finish / Prep: See Spec		
Welds: 6mm F.W. Full profile U.S.O.		
AS BUILT DRG	GA-08	