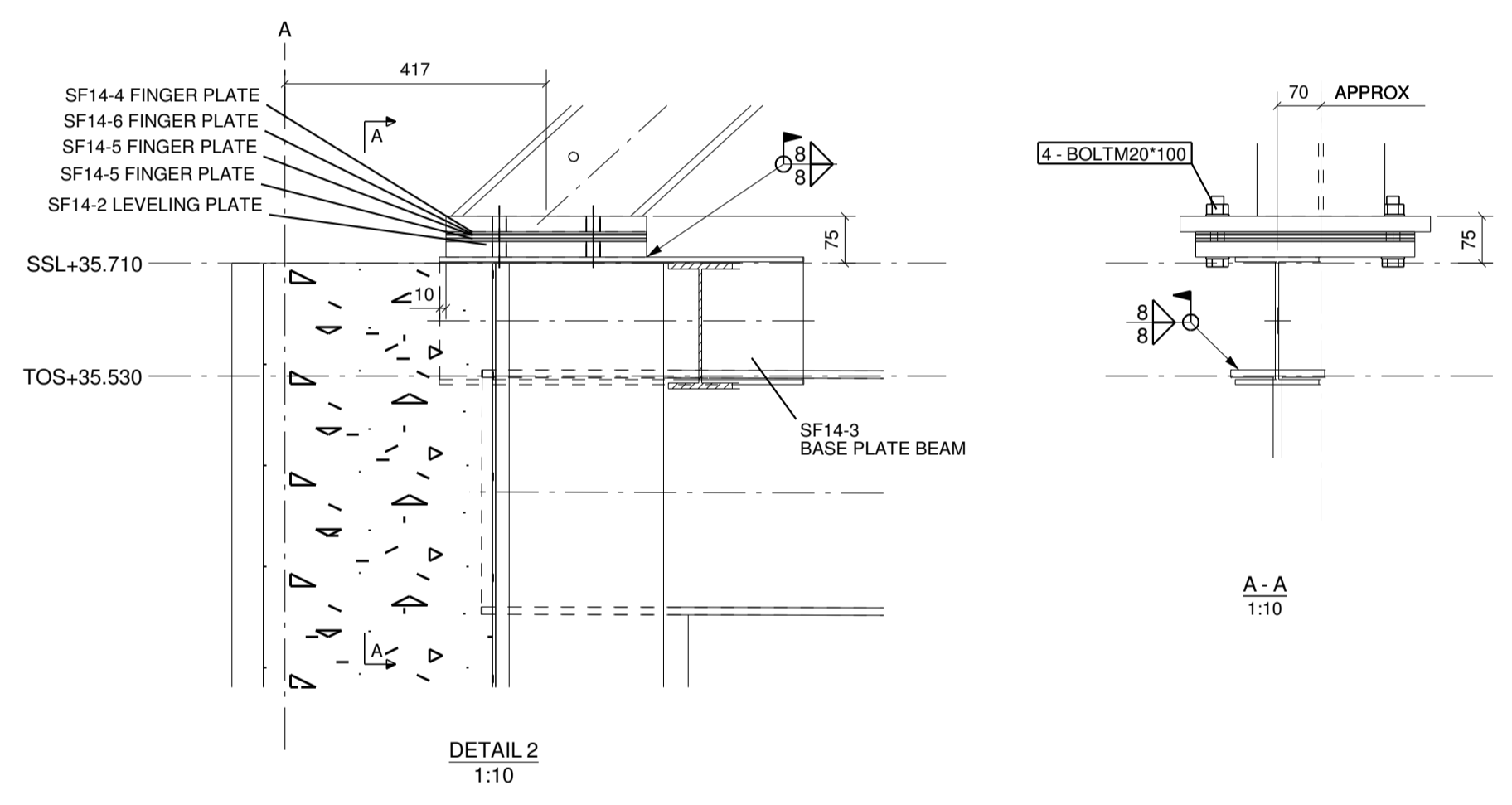
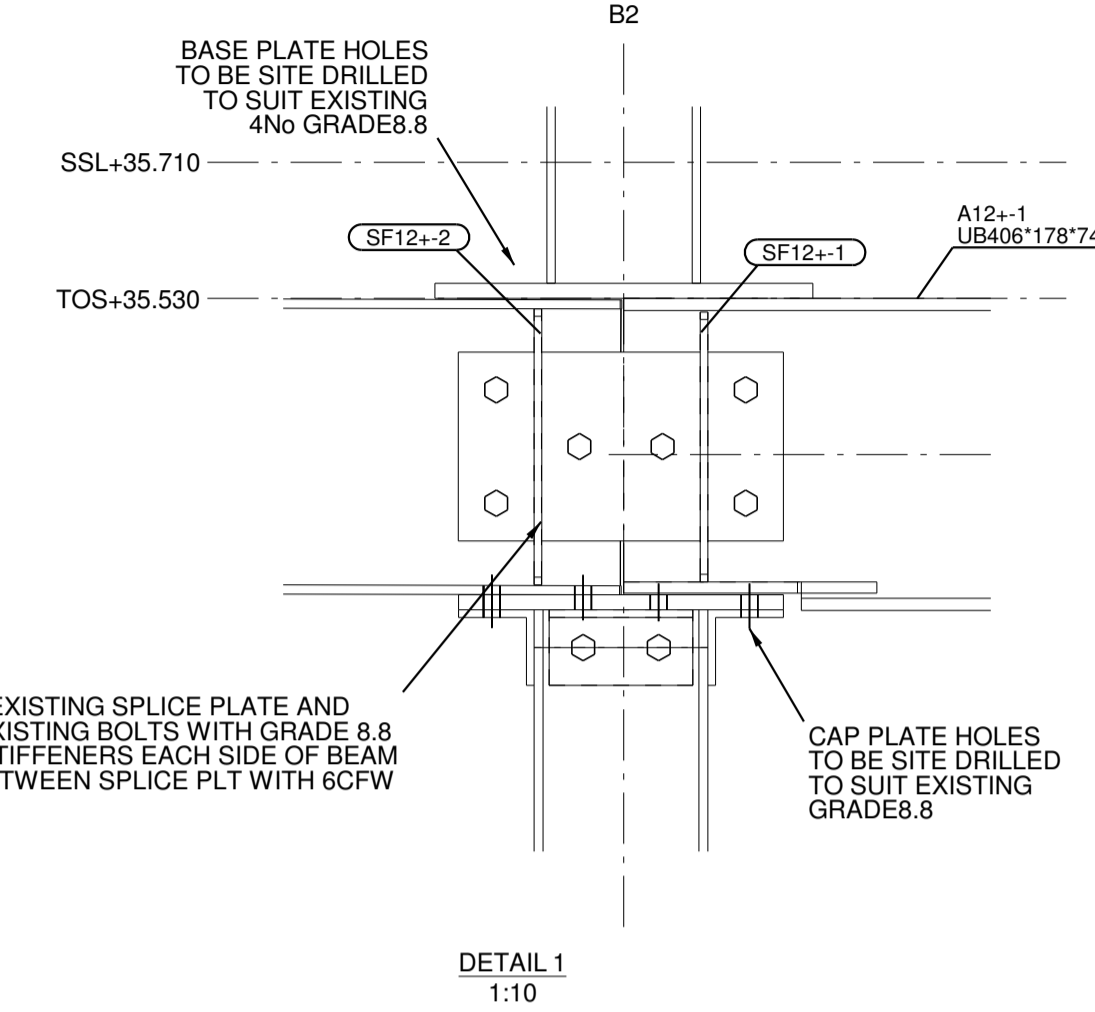
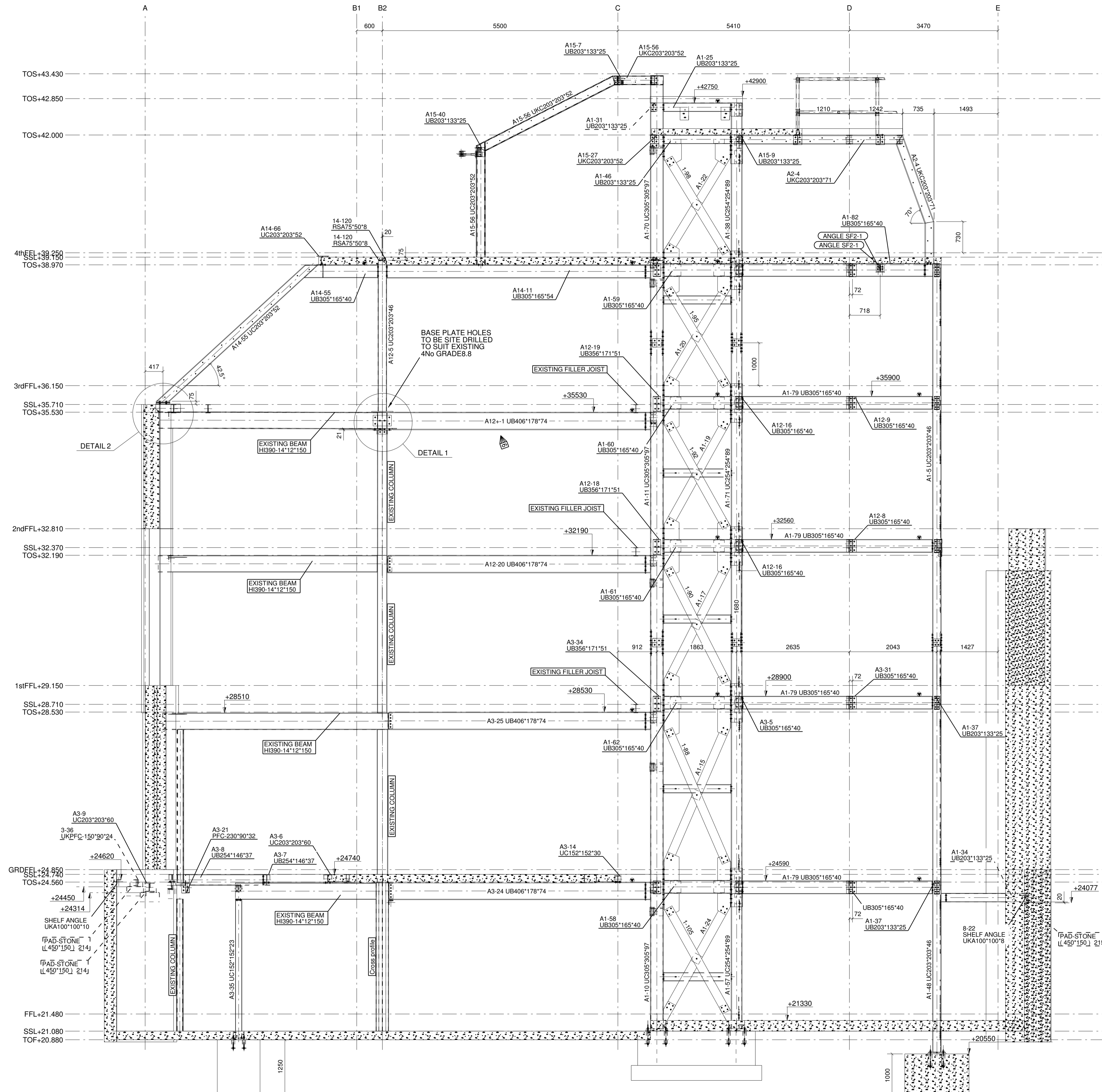


1. ALL DIMS IN MILLIMETRES UNO
2. RADIUS ALL NOTCHES
3. GENERAL TOLERANCE IS 0.5 MM UNO
4. REMOVE ALL BURRS AND SHARP EDGES



REV. MARK	REVISION DESCRIPTION	REV. DATE
9	PART MARKS ADDED GRD 3-4FFL	27.06.11
8	PART MARKS ADDED	06.06.11
7	4TH FFL PART MARKS ADDED	25.05.11
6	A12-1 ADDED	10.05.11
5	PART MARKS ADDED	20.04.11
4	PART MARKS ADDED	06.04.11
3	PART MARKS ADDED	16.03.11
2	LVL 4 & ROOF ADDED / FOR APPROVAL	27.02.11
1	LVL 2 & 3 ADDED / FOR APPROVAL	17.02.11
0	FOR APPROVAL	07.02.11

A C D
Architectural Corporate Drafting Ltd
9 Millhouse Close
Whittington
Oswestry
Shropshire
SY11 4NA
Mobile: 07711 093 578
Tel/Fax: 01691 654451
Email: info@a-c-d.co.uk

CLIENT
SKANSKA
PROJECT DESCRIPTION
1-5 POLAND STREET
SITE ADDRESS
LONDON
DRAWING TITLE
STRUCTURAL MAIN BUILDING
GRID 3
GENERAL ARRANGEMENT

SCALE
1:10 1:50
DRAWN BY
Andy Curran
CHECKED BY
A. G
CONTACT NAME
Andrew Gamblen
DRAWING CREATION DATE
04.02.2011

ACD REF No:
A.C-D-076-01
CONTRACT No:
C/10751
REVISION
9

Material to BS4360. Grade - See Spec
Surface Finish / Prep: See Spec
Welds: 6mm F.W. Full profile U.S.O.
AS BUILT DRG

Grid 3
1:50

GA-10