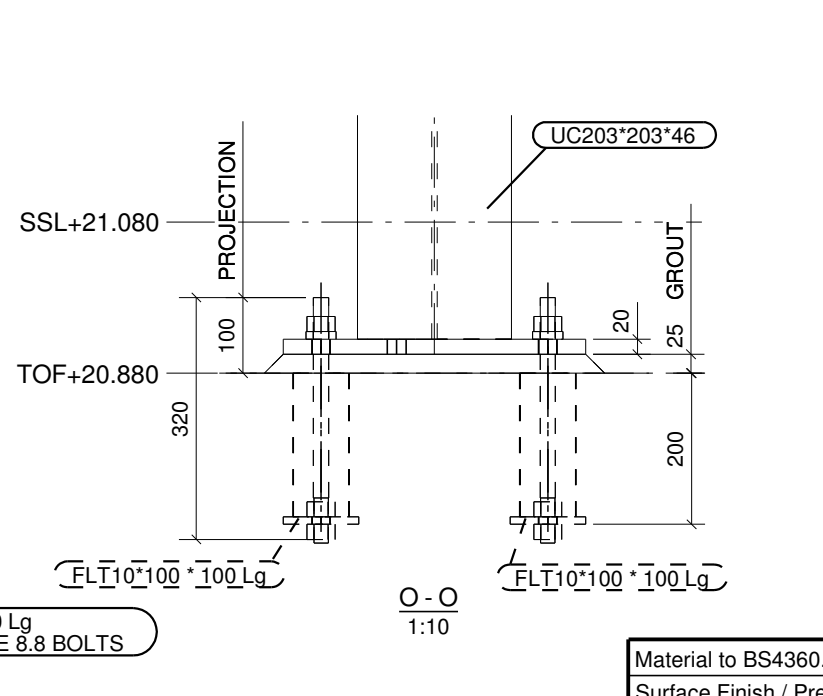
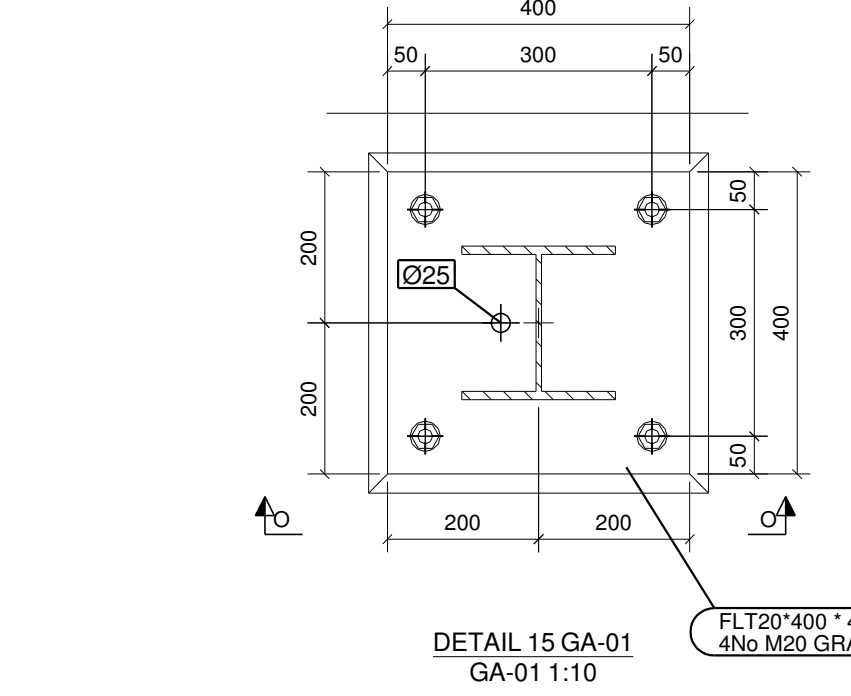
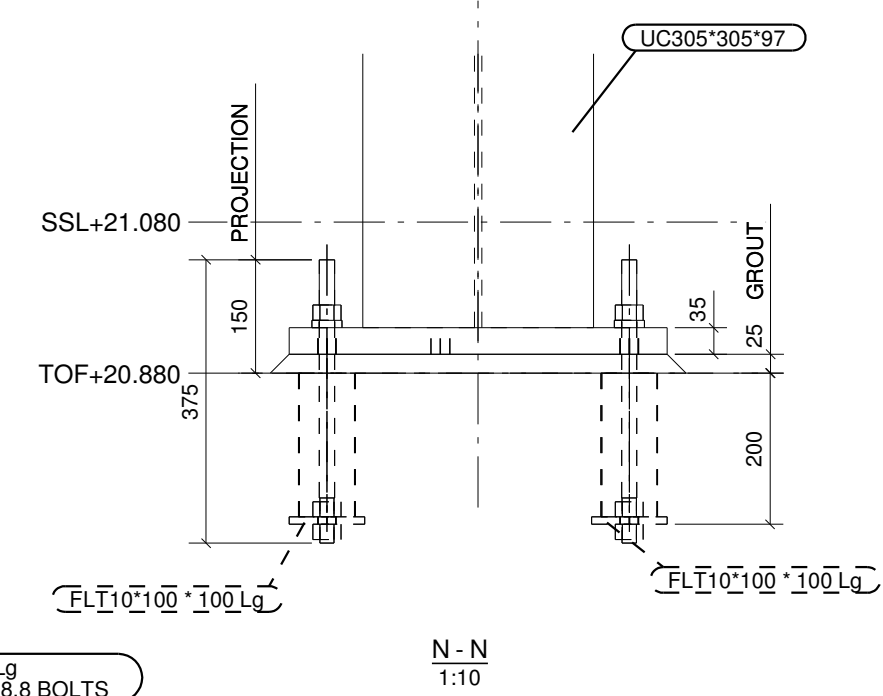
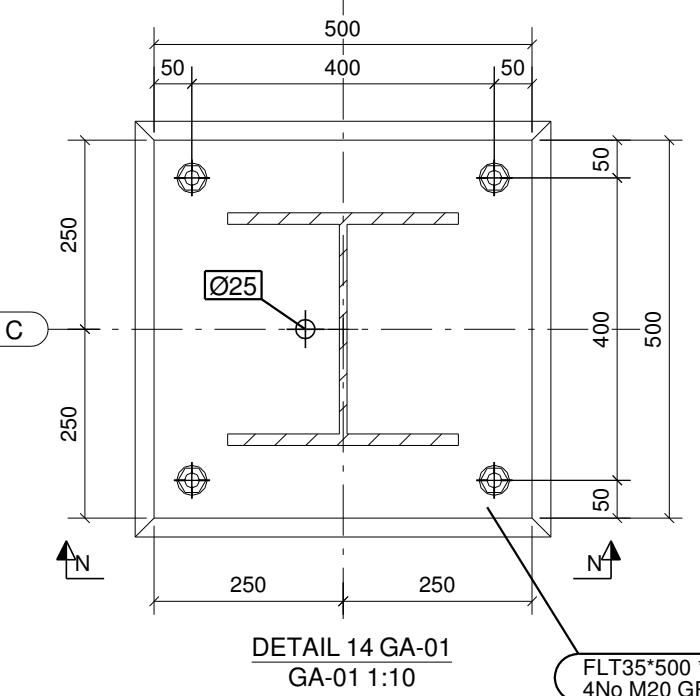
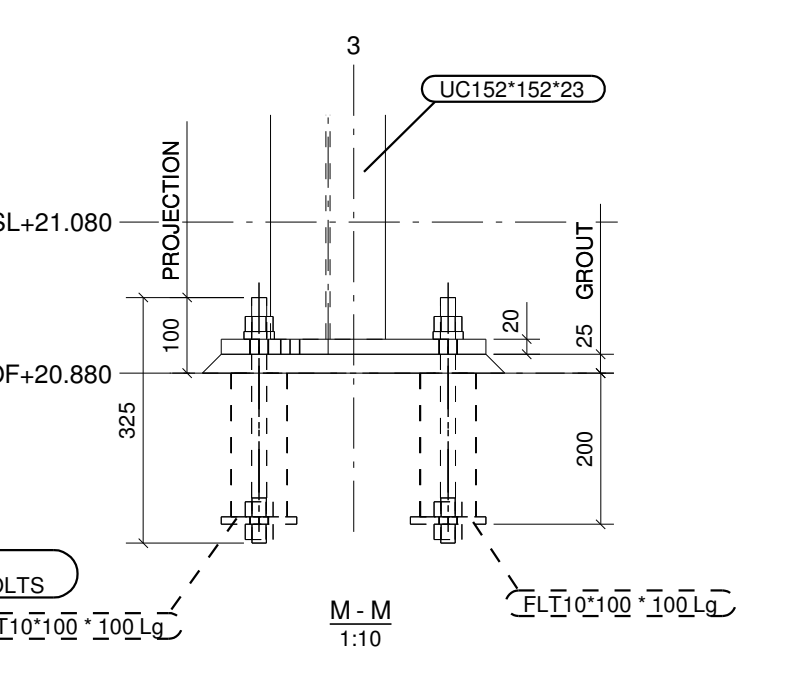
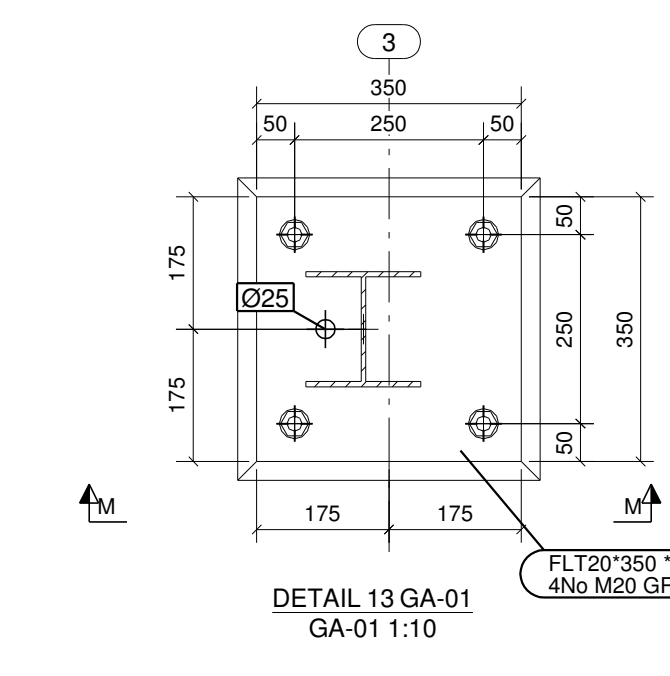
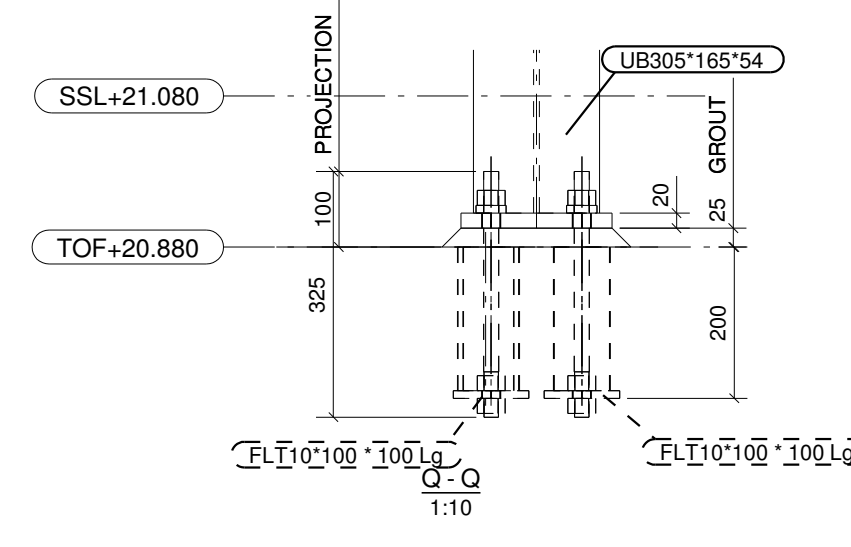
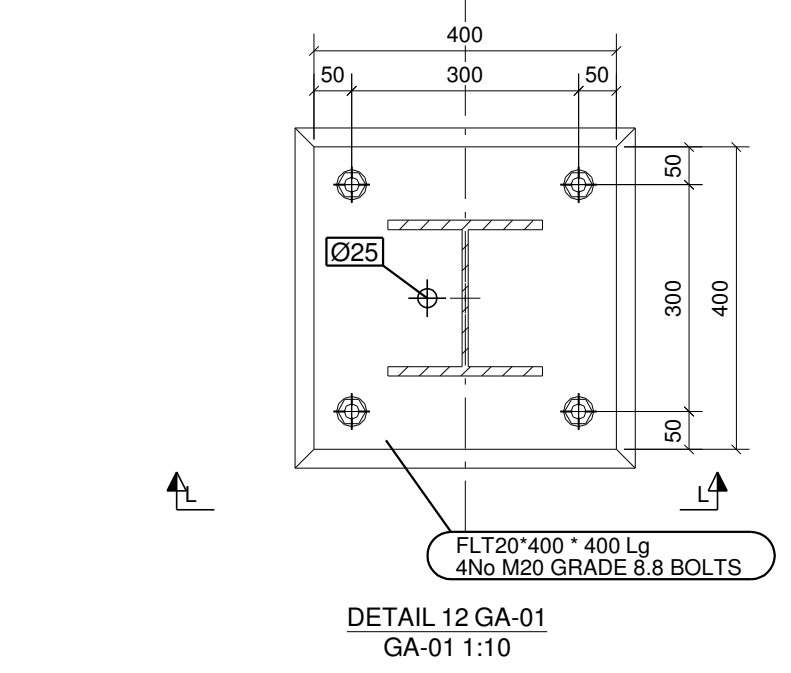
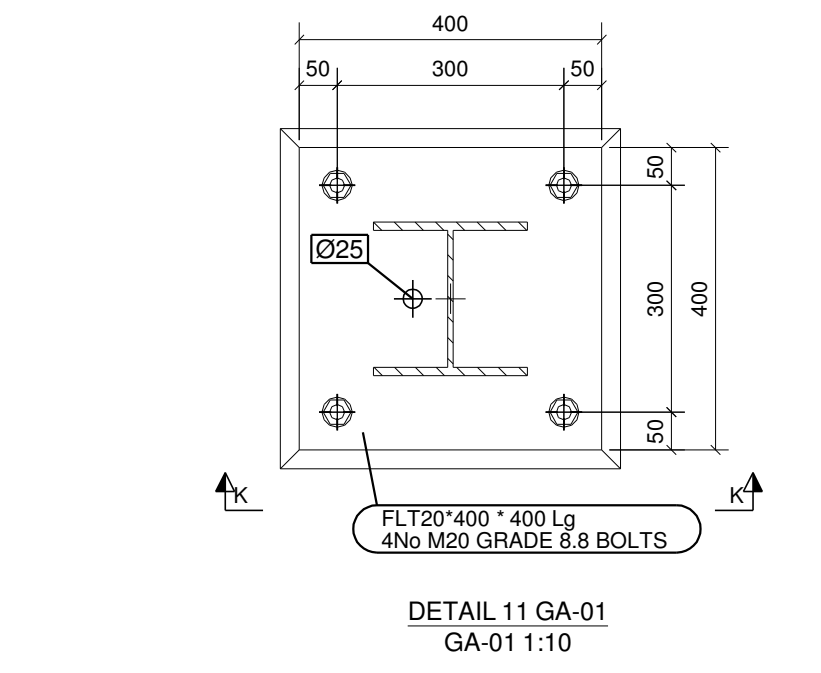
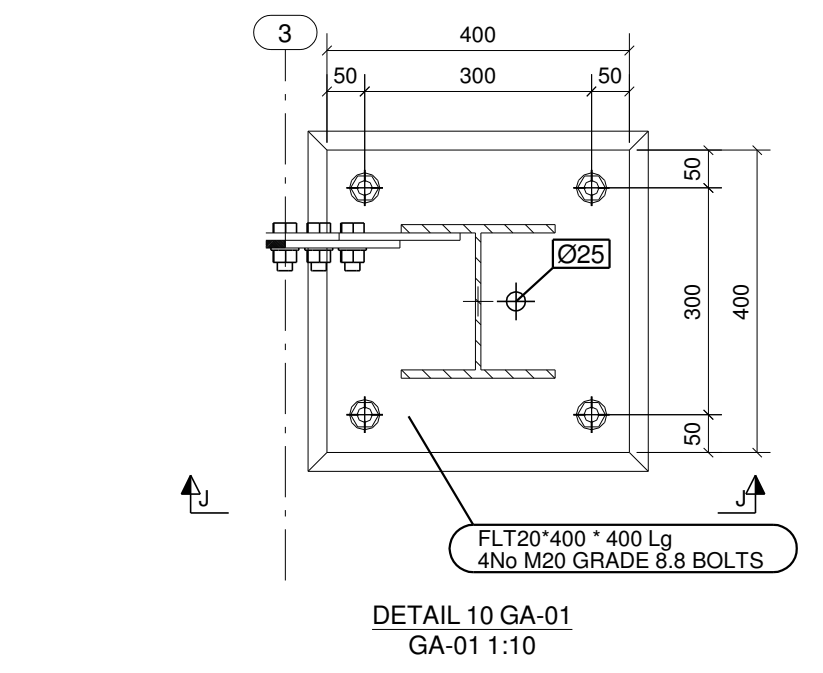
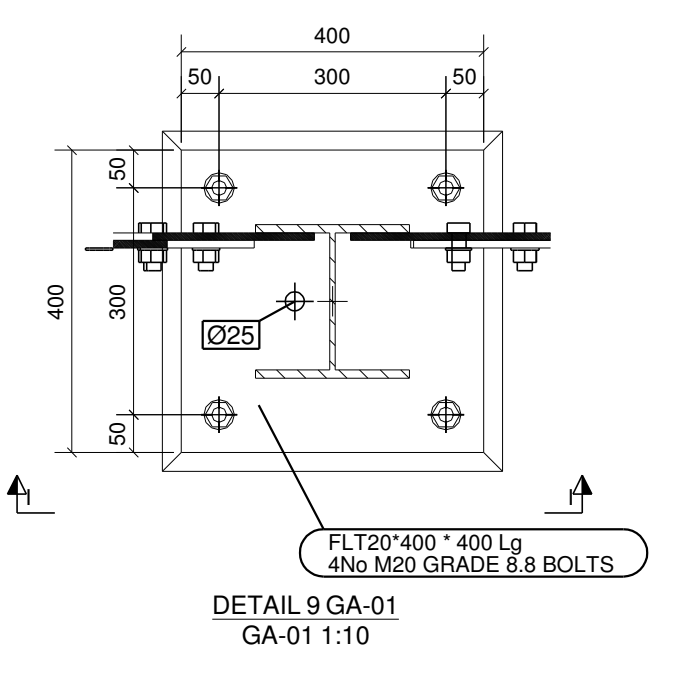
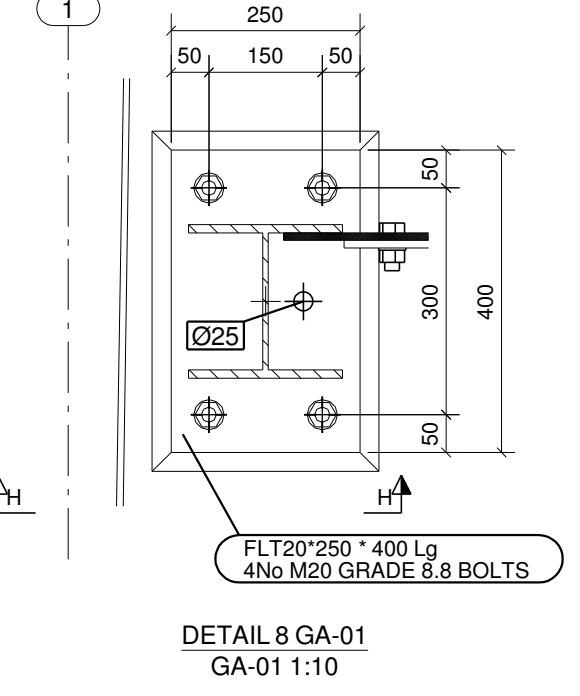
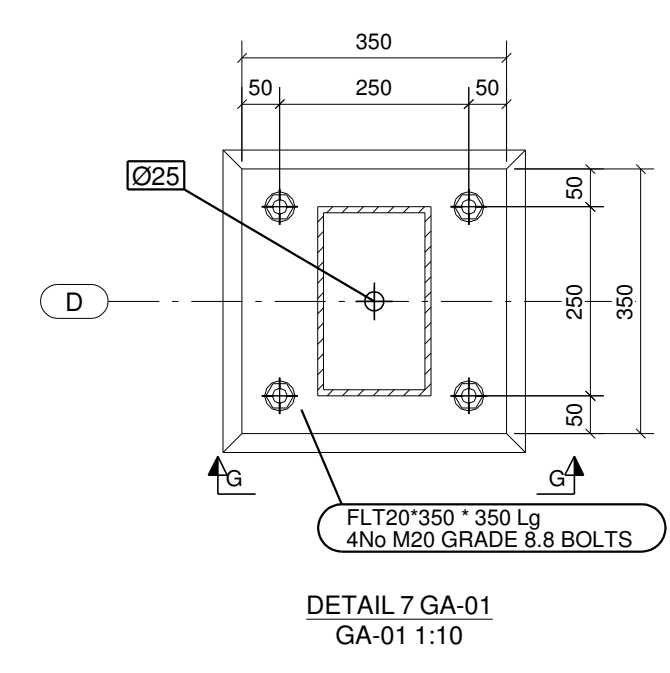
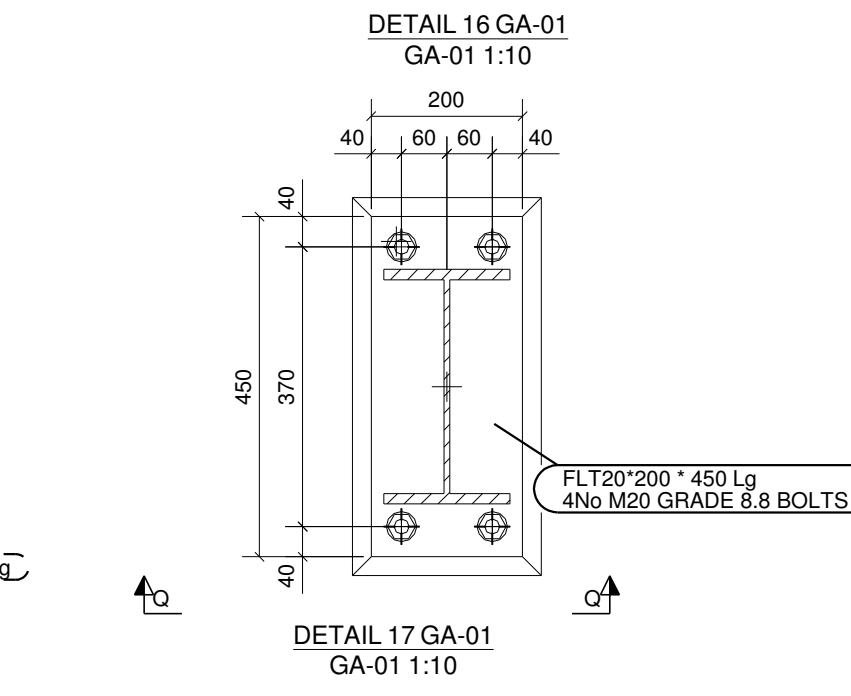
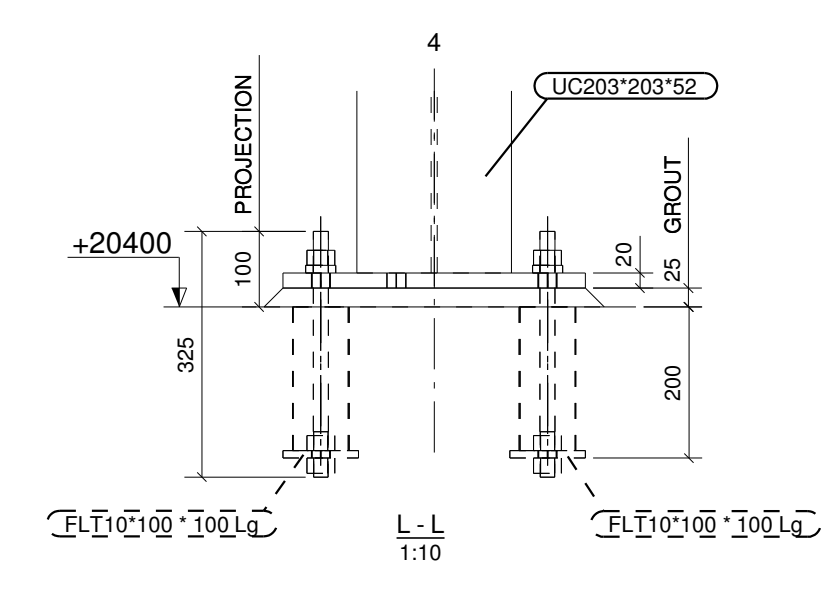
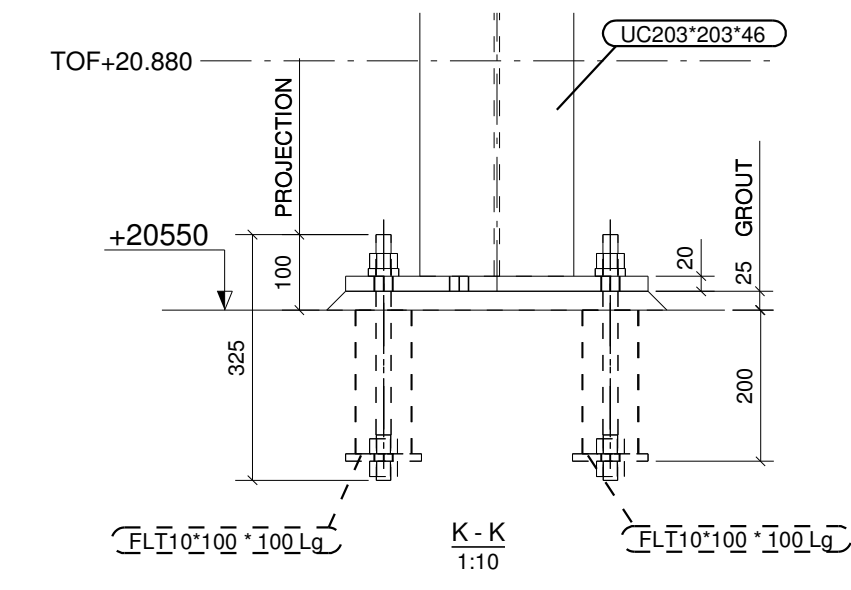
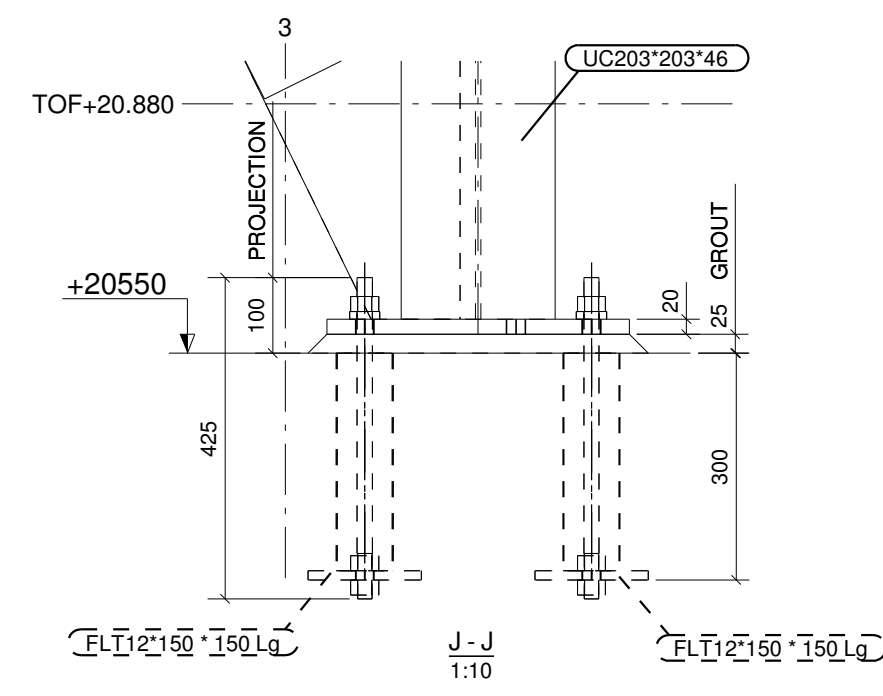
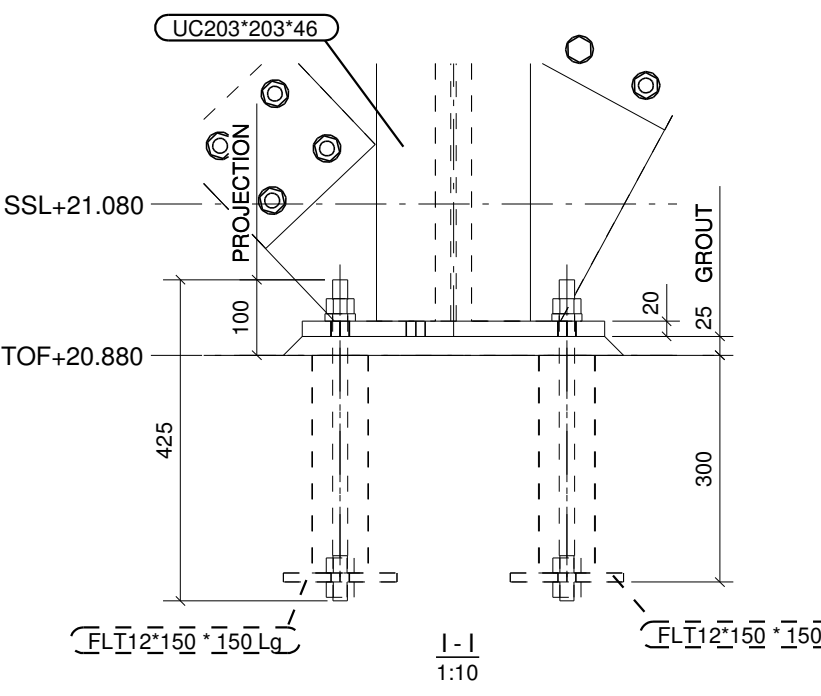
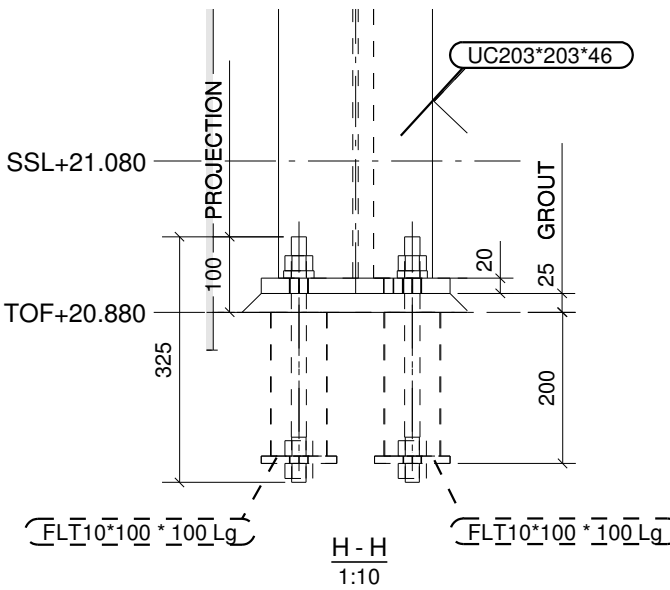
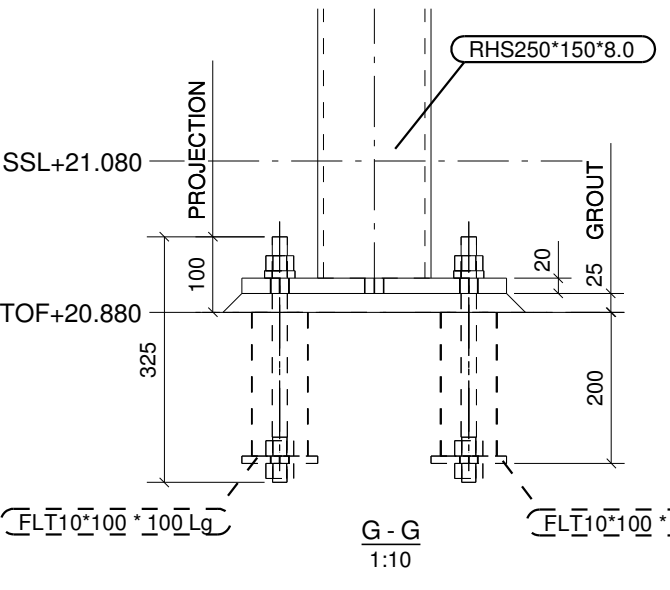
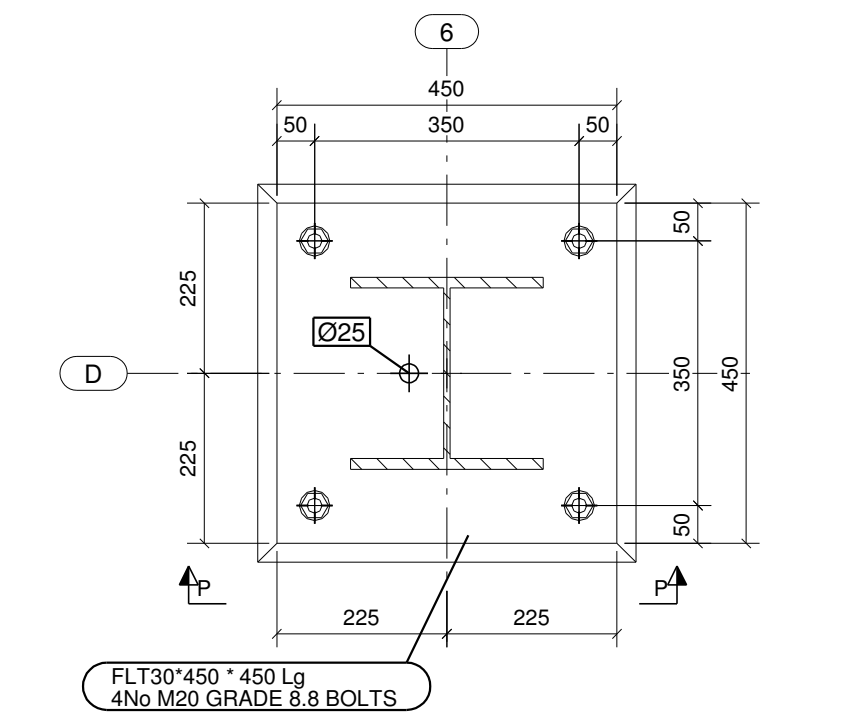
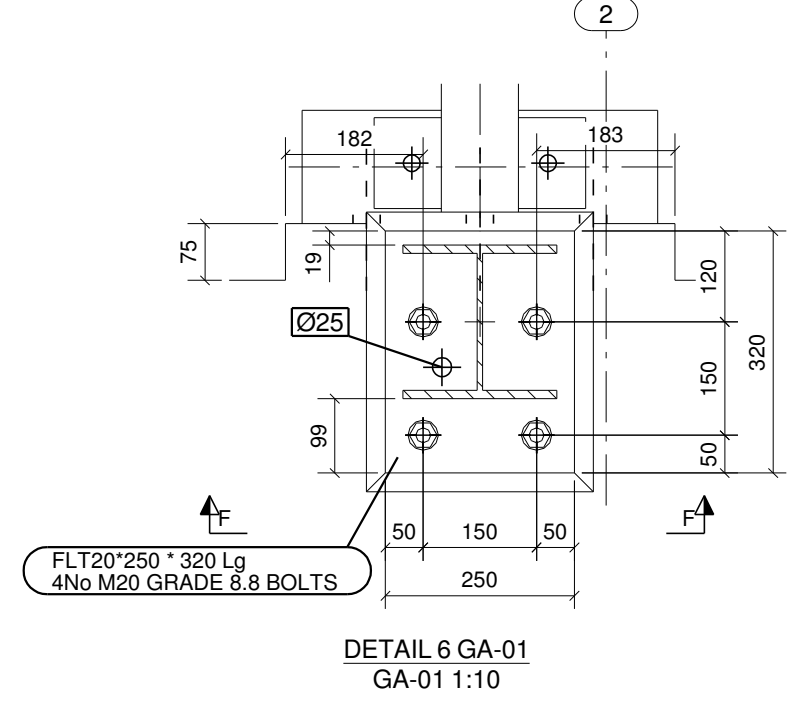
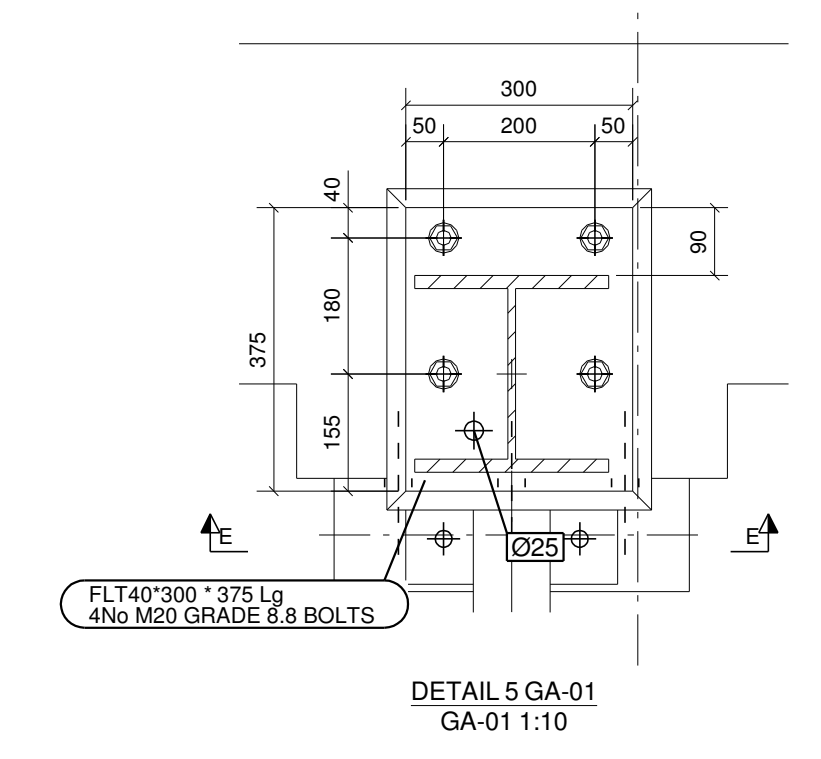
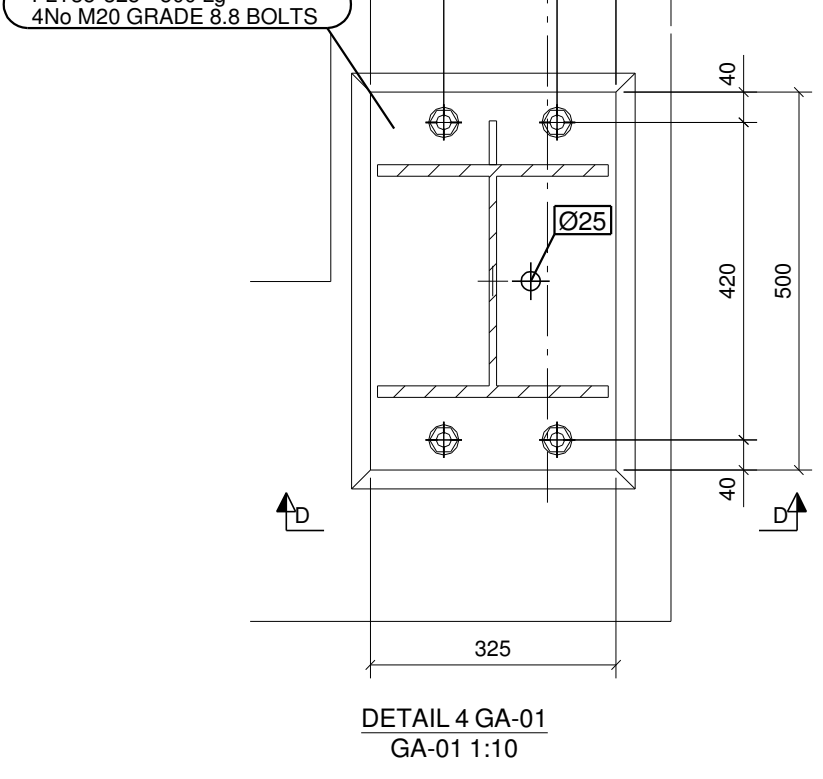
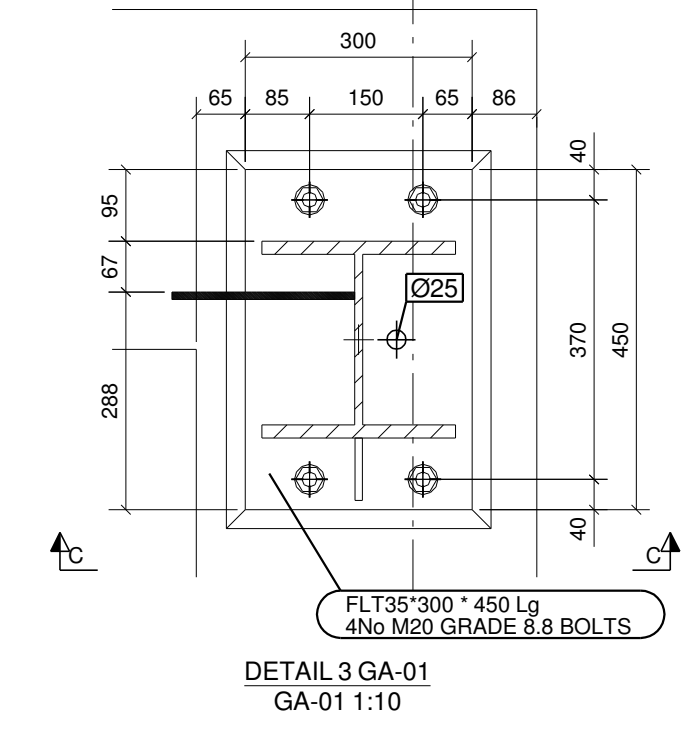
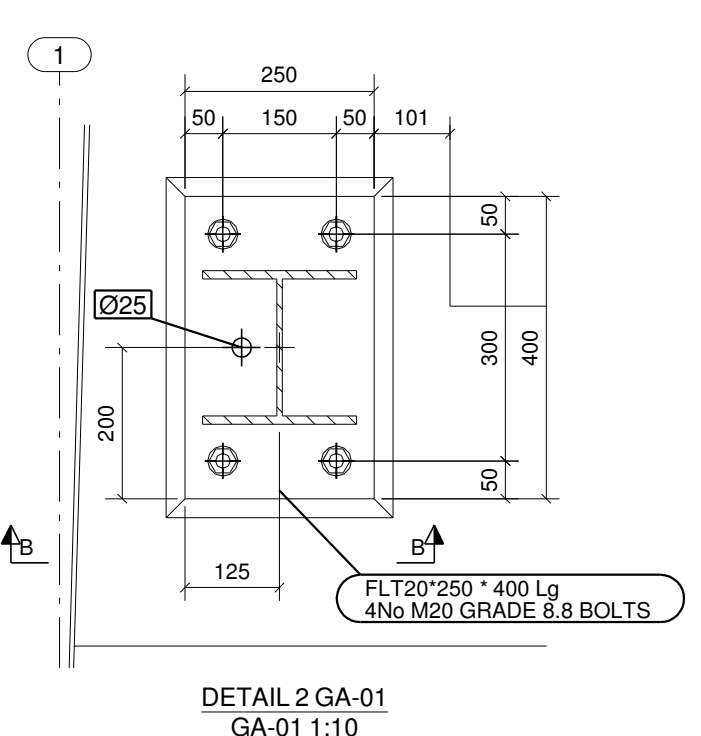
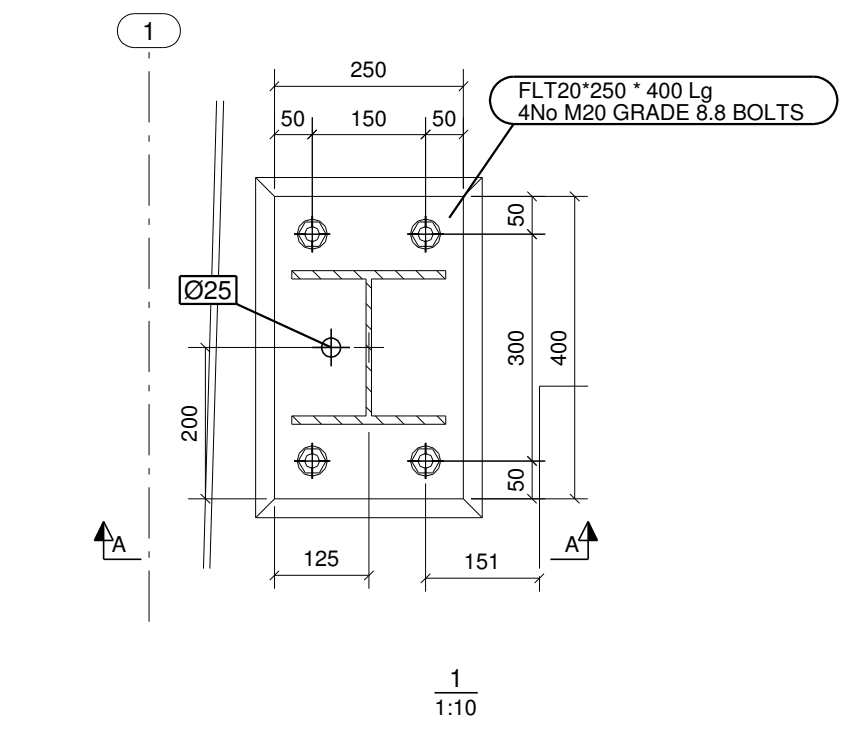
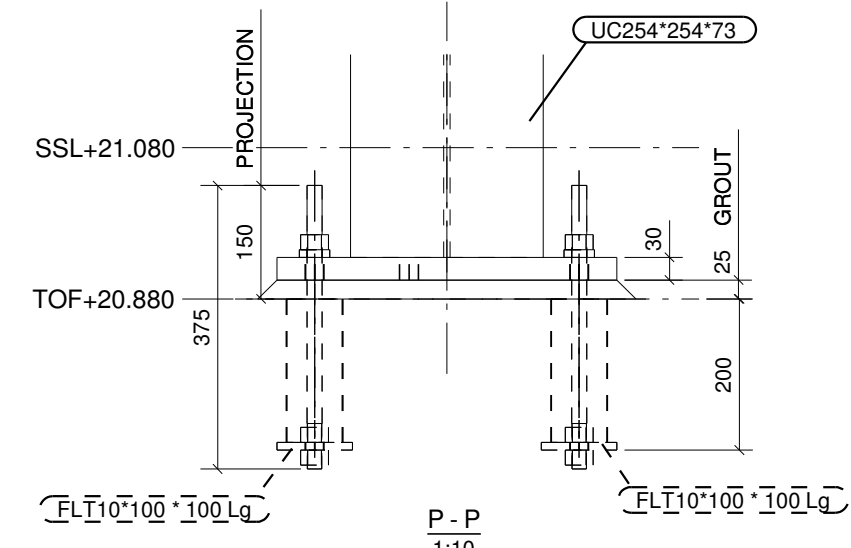
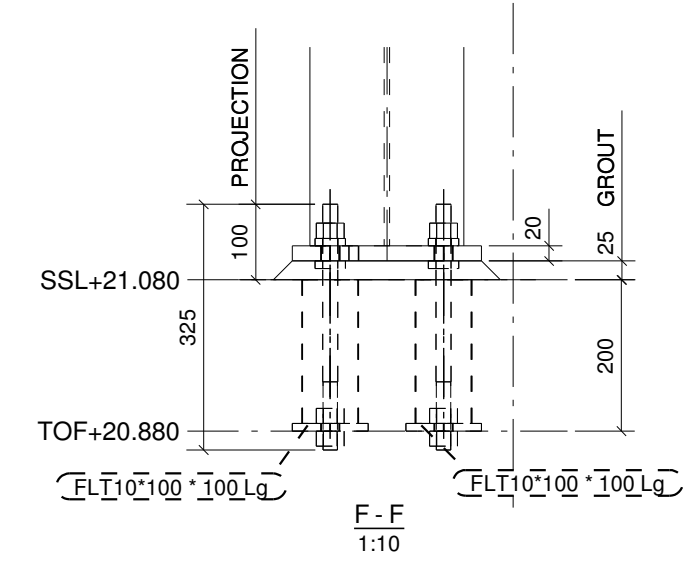
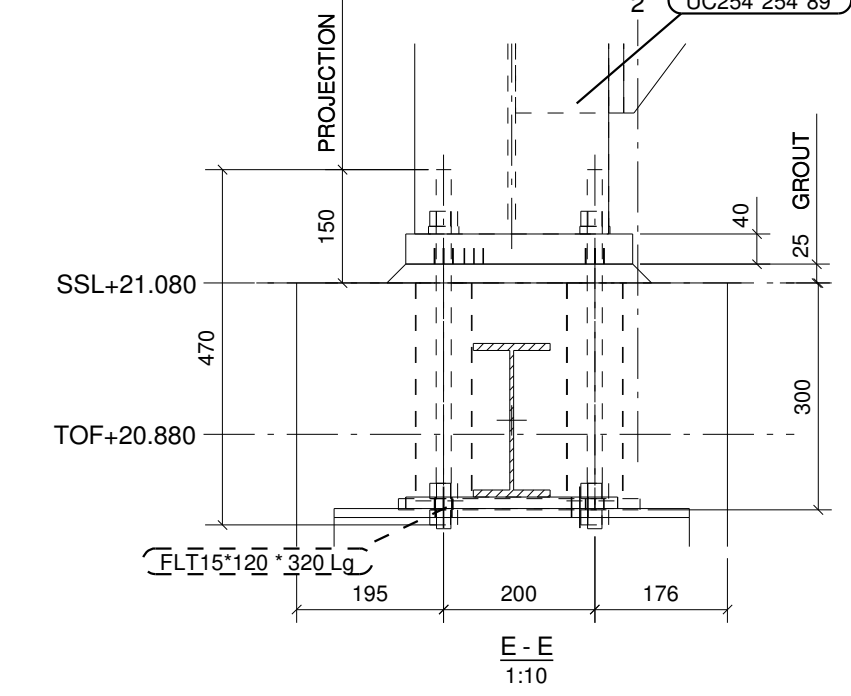
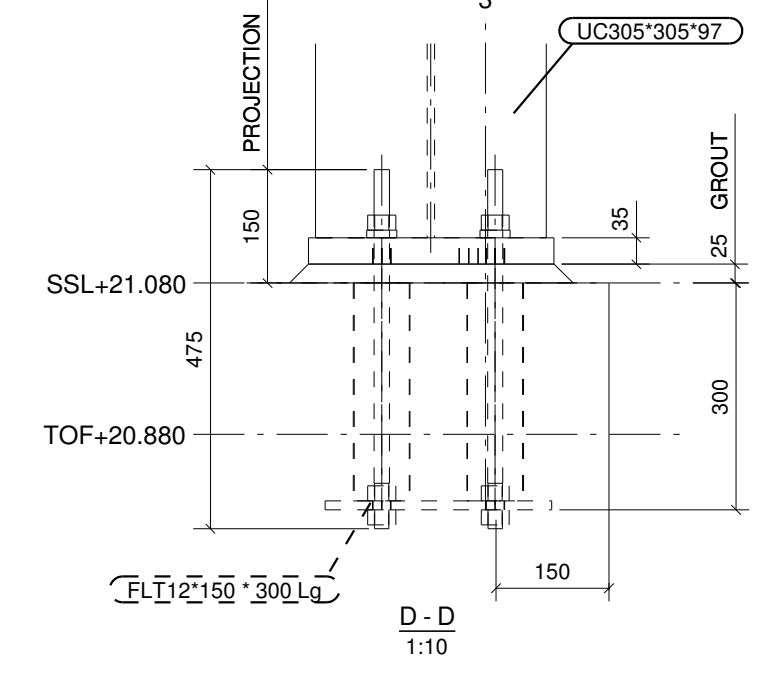
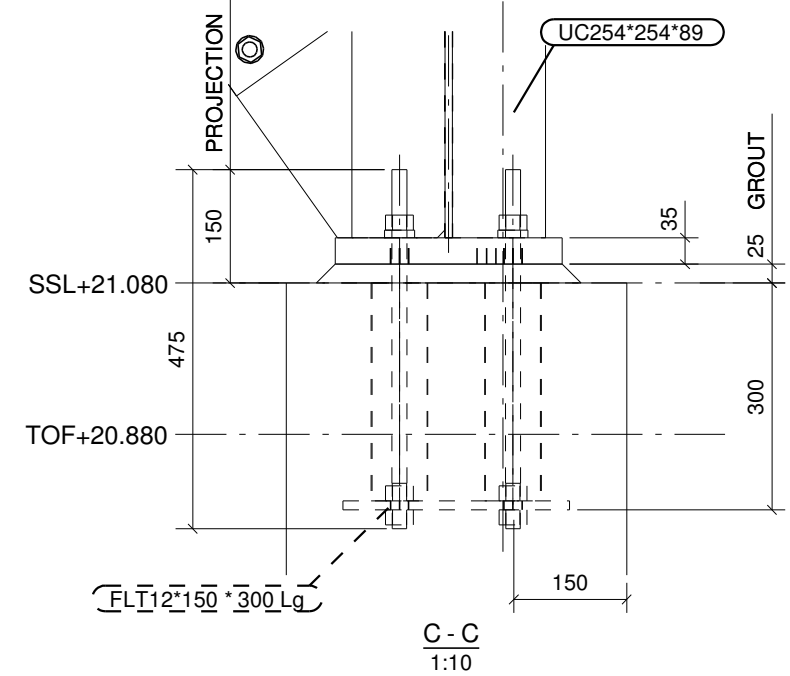
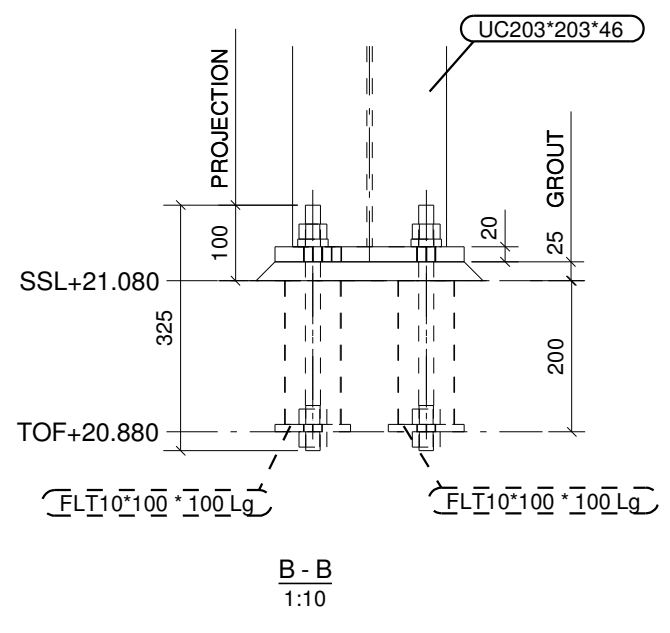
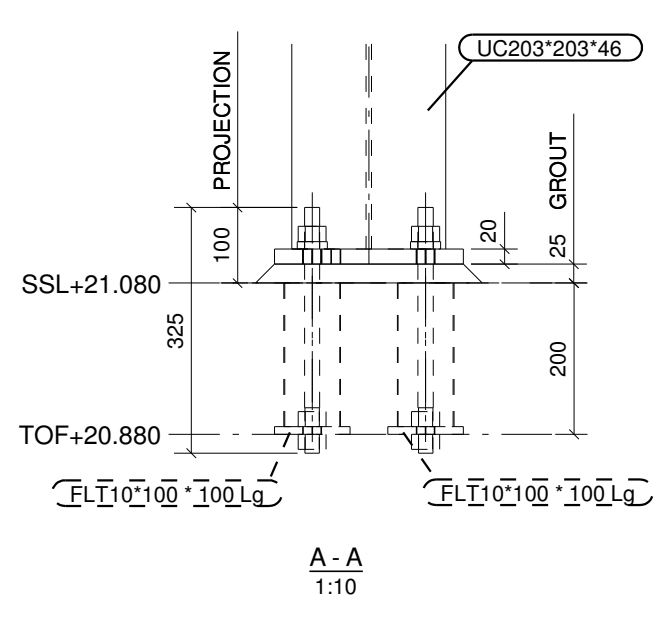


1. ALL DIMS IN MILLIMETRES UNO
2. RADIUS ALL NOTCHES
3. GENERAL TOLERANCE IS 0.3 MM UNO
4. REMOVE ALL BURRS AND SHARP EDGES
5. ALL STEEL GRADE S275
6. ALL FITTINGS GRADE S275
7. ALL BOLTS GRADE 8.8



1	BASE PLATE DETAIL 17 ADDED	21.03.11
0	FOR APPROVAL	04.02.11
REV. MARK	REVISION DESCRIPTION	REV. DATE

A C D
Architectural Corporate Drafting Ltd
9 Millhouse Close
Whittington
Oswestry
Shropshire
SY11 4NA
Mobile: 07711 093 578
Tel/Fax: 01691 654451
Email: info@a-c-d.co.uk

CLIENT
SKANSKA
PROJECT DESCRIPTION
1-5 POLAND STREET
SITE ADDRESS
LONDON
DRAWING TITLE
STRUCTURAL MAIN BUILDING
FOUNDATION BASE PLATE DETAILS

SCALE 1:10	DRAWN BY Andy Curran	CONTACT NAME Andrew Gamblen
CHECKED BY A. G	CONTRACT NO. C/10751	DRAWING CREATION DATE 04.02.2011
ACD REF NO. A.C-D-076-01	CONTRACT NO. C/10751	REVISION 1