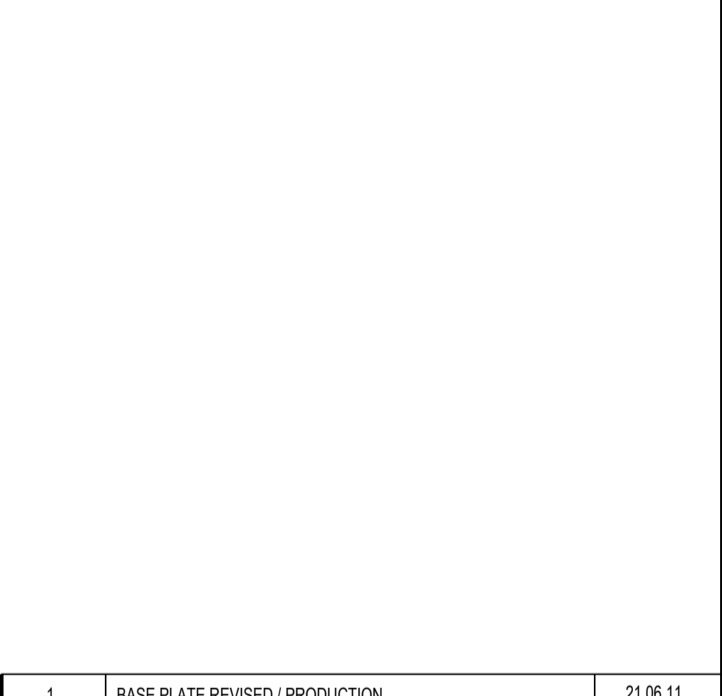
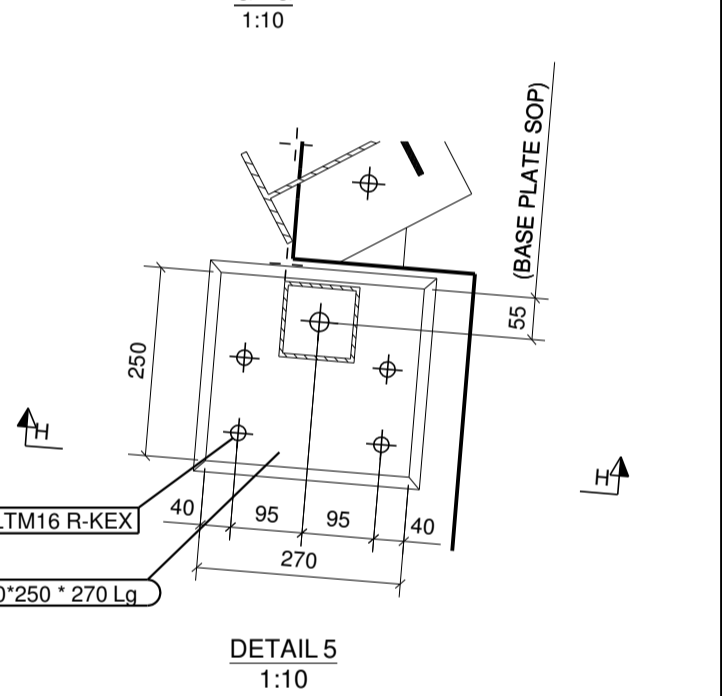
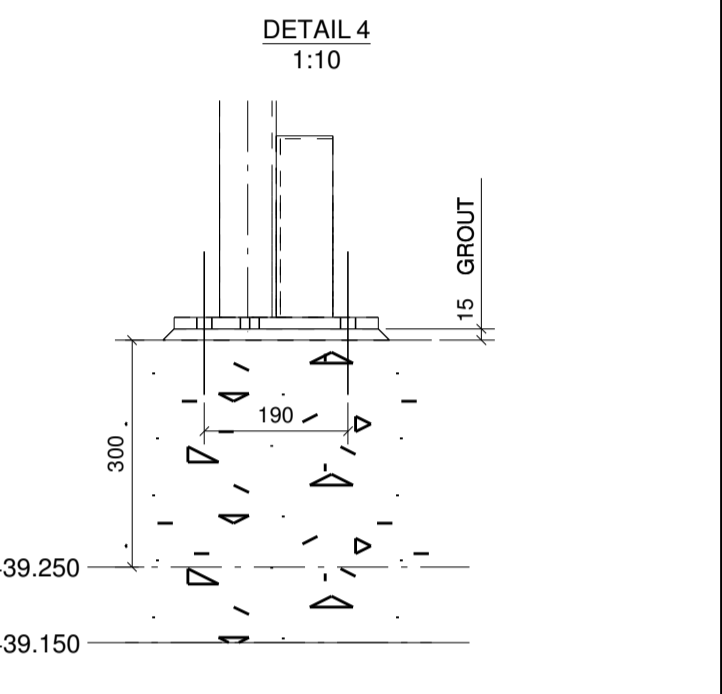
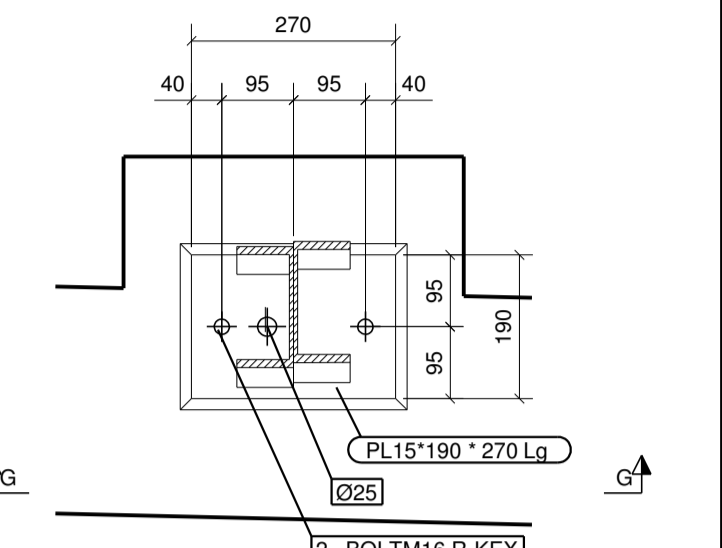


GENERAL NOTES

- 1. ALL DIMS IN MILLIMETRES UNO
- 2. RADIUS ALL NOTCHES
- 3. GENERAL TOLERANCE IS ± 0.3 MM UNO
- 4. REMOVE ALL BURRS AND SHARP EDGES
- 5. ALL STEEL GRADE S275
- 6. ALL FITTINGS GRADE S275
- 7. ALL BOLTS GRADE 8.8
- 8. FINISH - GALVANISED



REV. MARK	REVISION DESCRIPTION	REV. DATE
1	BASE PLATE REVISED / PRODUCTION	21.06.11
0	FOR APPROVAL	11.05.11

<p>Architectural Corporate Drafting Ltd</p>	<p>9 Millhouse Close Whittington Oswestry Shropshire SY11 4NA</p> <p>Mobile: 07711 093 578 Tel/Fax: 01691 654451 Email: info@a-c-d.co.uk</p>
<p>CLIENT: SKANSKA PROJECT DESCRIPTION: 1-5 POLAND STREET SITE ADDRESS: LONDON</p>	<p>CONTACT NAME: Andrew Gamblen DRAWING CREATION DATE: 11.05.2011</p>
<p>DRAWING TITLE: STRUCTURAL MAIN BUILDING LOUVER SCREEN / GRIDLINE 7</p>	<p>CONTRACT No: C/10751</p>
<p>SCALE: 1:10 1:20 1:30</p>	<p>REVISION: 1</p>

Material to BS4360. Grade - See Spec
Surface Finish / Prep: See Spec
Welds: 6mm F.W. Full profile U.S.O.

AS BUILT DRG

