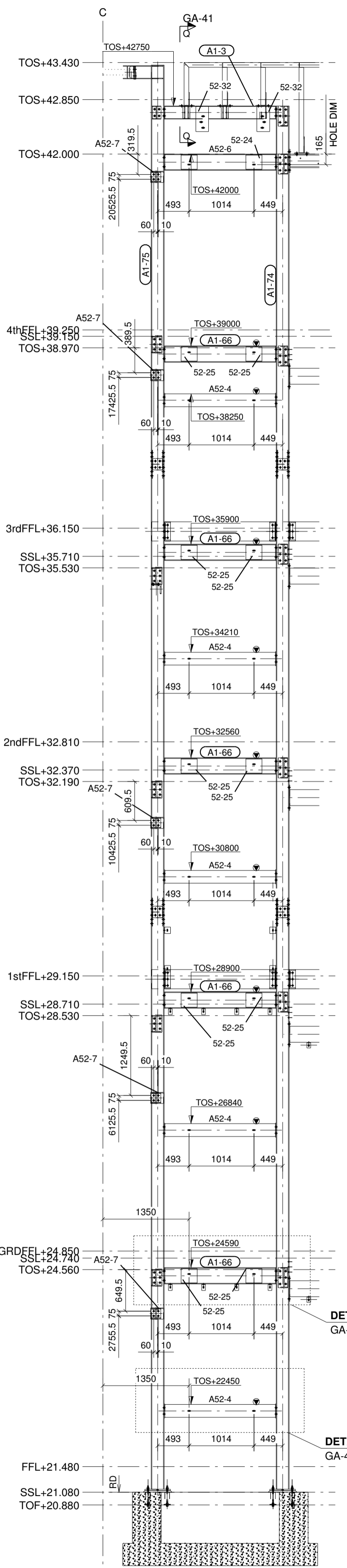
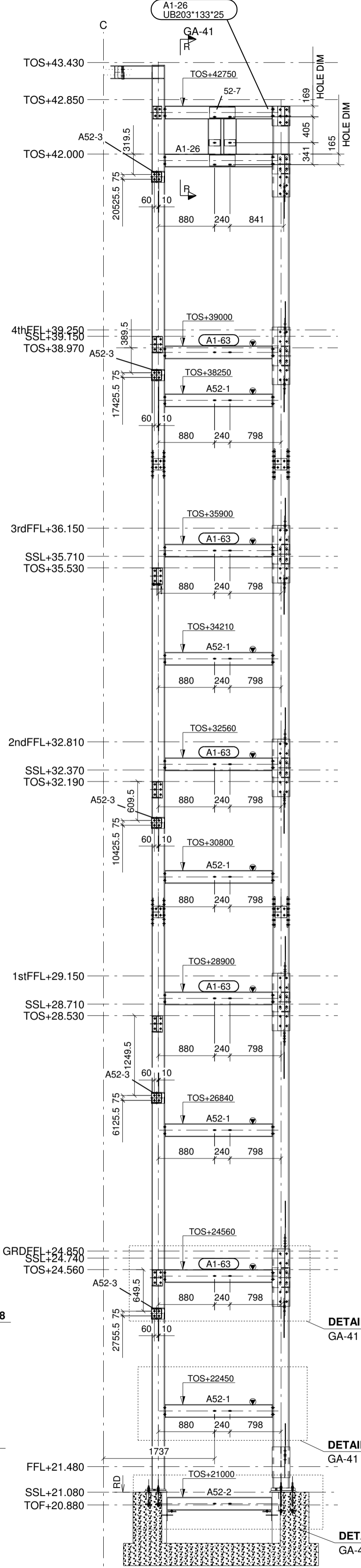


1. ALL DIMS IN MILLIMETRES UNO
2. RADIUS ALL NOTCHES
3. GENERAL TOLERANCE IS 0.5 MM UNO
4. REMOVE ALL BURRS AND SHARP EDGES

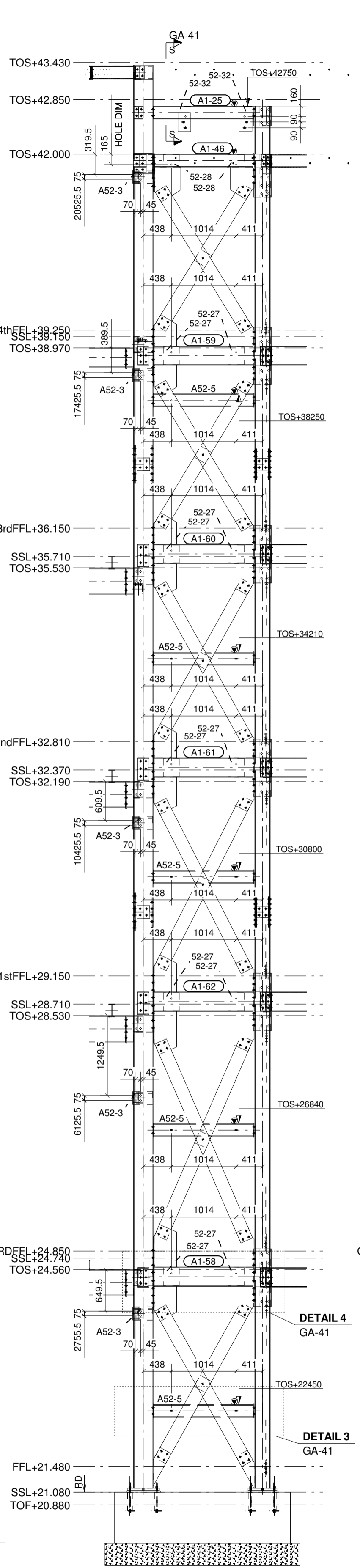
LIFT SHAFT SECONDARY STEELWORK
 PREFIX PART No 52-
 PREFIX ASSEMBLY No A52-



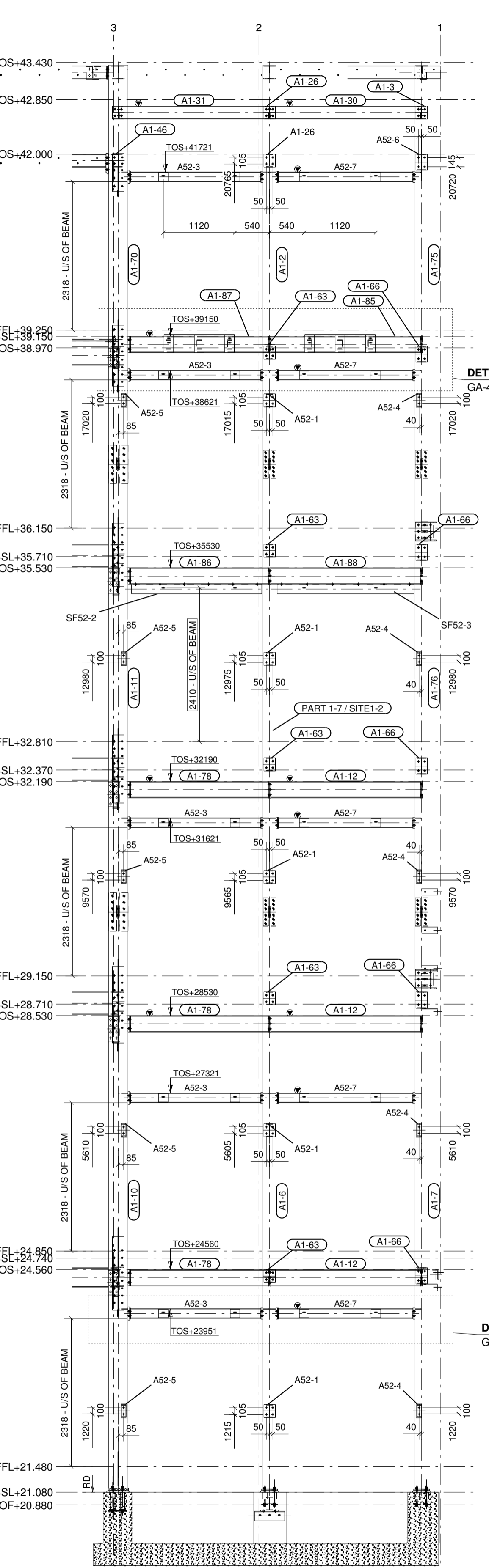
A - A (GA-41)
1:50



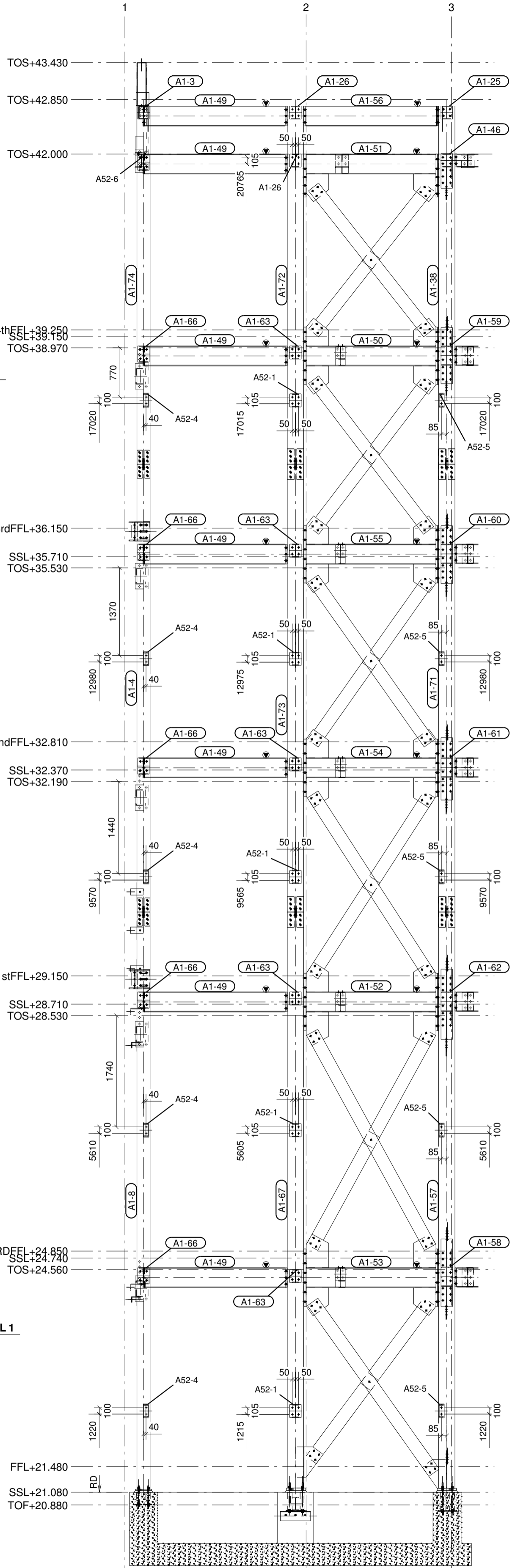
B - B (GA-41)
1:50



C - C (GA-41)
1:50



D - D (GA-41)
1:50



E - E (GA-41)
1:50

1	REVISED TO COMMENTS / CONSTRUCTION ISSUE	31.05.11
0	FOR APPROVAL / COMMENTS	14.05.11
REV. MARK	REVISION DESCRIPTION	REV. DATE

A C D
 Architectural Corporate Drafting Ltd
 9 Millhouse Close
 Wotton Bassett, Wiltshire, UK
 Tel: 01296 474444
 Fax: 01296 474445
 Email: info@ac-d.co.uk

CLIENT: SKANSKA
 PROJECT DESCRIPTION: 1-5 POLAND STREET
 SITE ADDRESS: LONDON
 DRAWING TITLE: STRUCTURAL MAIN BUILDING
 LIFT SHAFT SECONDARY STEELWORK
 SECTIONS

SCALE: 1:50
 DRAWN BY: Andy Curran
 CHECKED BY: A. G.
 CONTACT NAME: Andrew Gamblen
 DRAWING CREATION DATE: 13.05.2011

ACD REF No: A.C-D-076-01	CONTRACT No: C/10751	REVISION: 1
--------------------------	----------------------	-------------

Material to BS4360. Grade - See Spec
 Surface Finish / Prep: See Spec
 Welds: 6mm F.W. Full profile U.S.O.
AS BUILT DRG