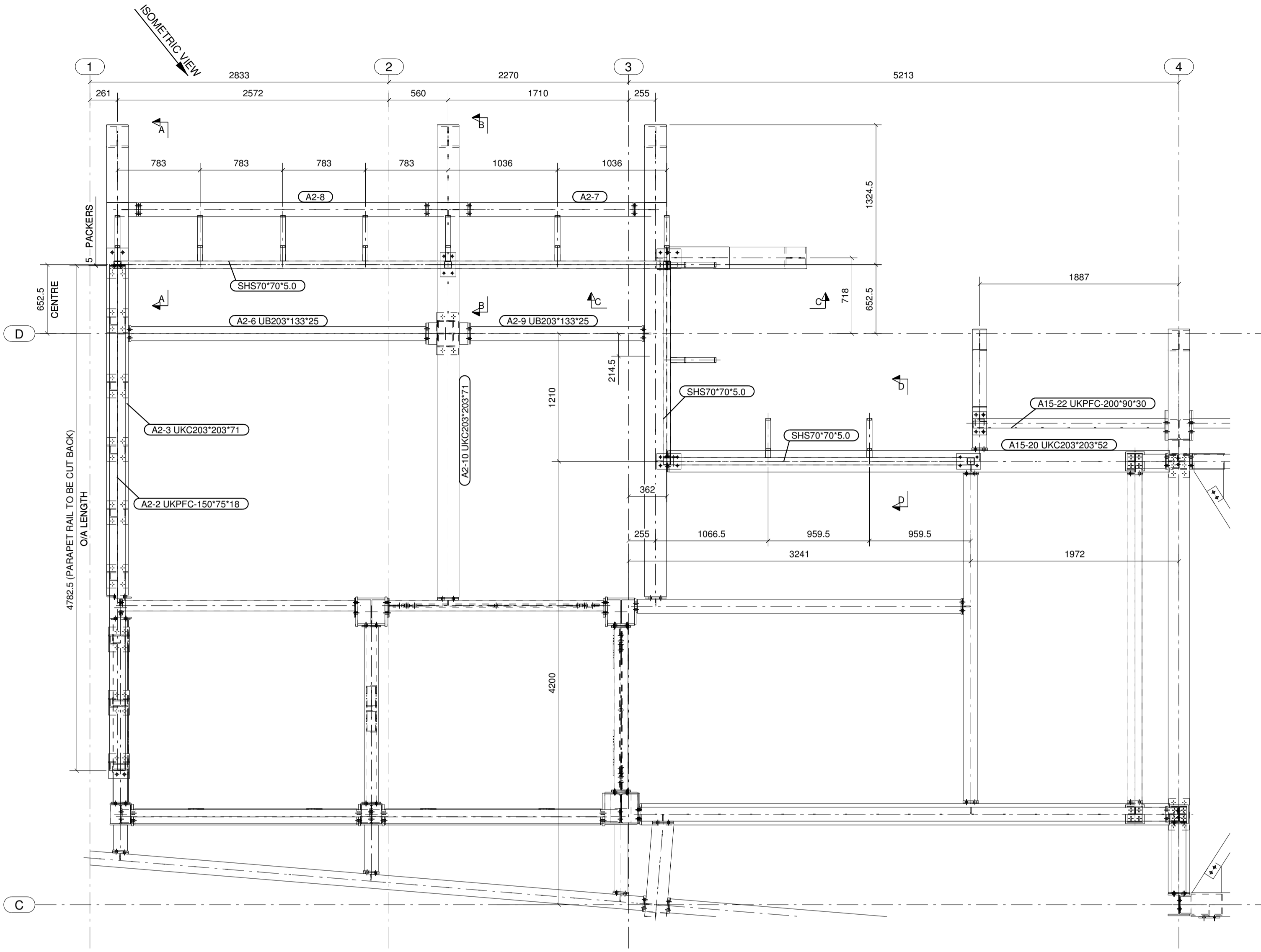


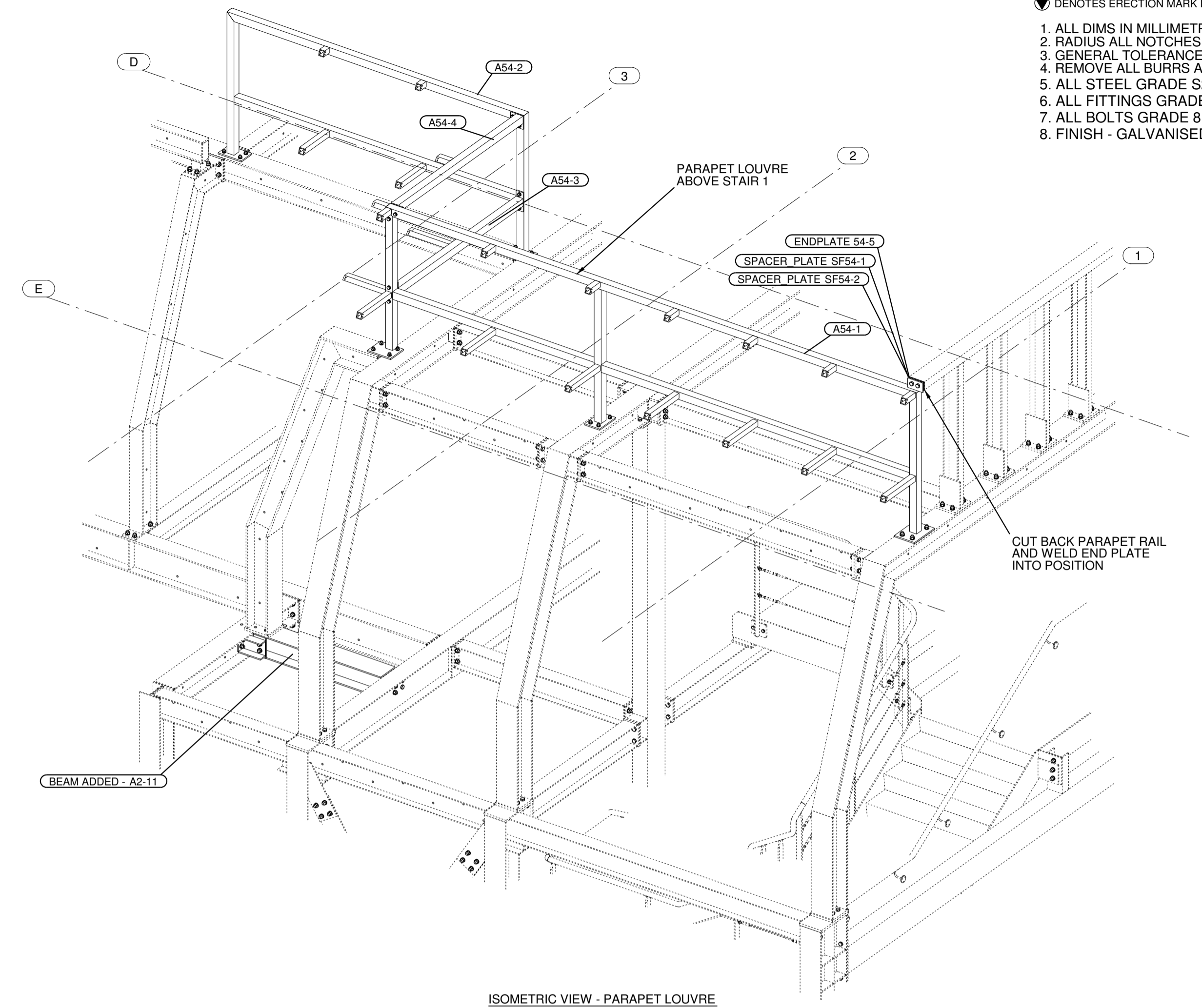
**GENERAL NOTES**  
 HOLES BOLTS   
 CSK HOLES N/S F/S

▼ DENOTES ERECTION MARK LOCATION - FOR ORIENTATION

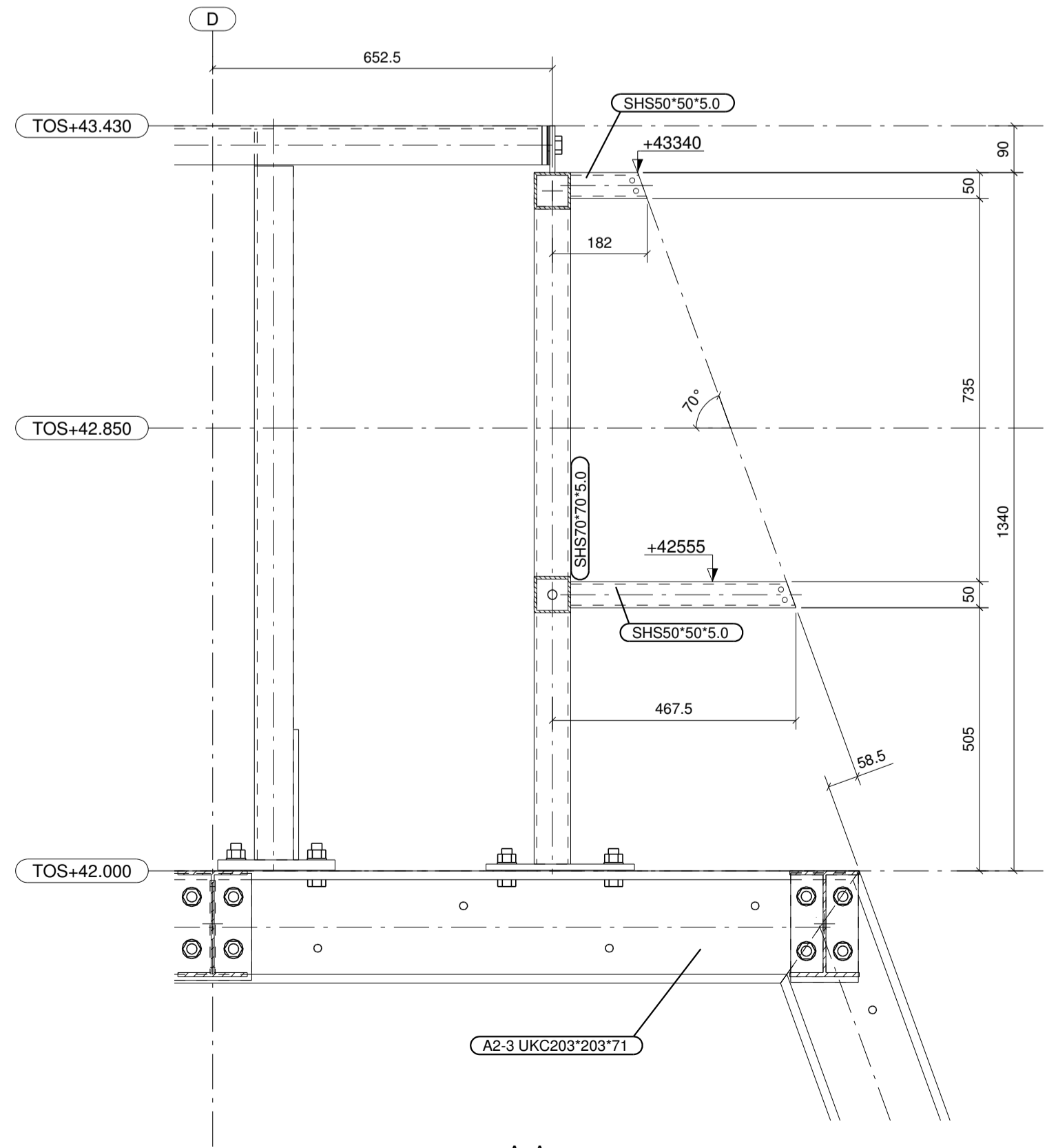
1. ALL DIMS IN MILLIMETRES UNO
2. RADIUS ALL NOTCHES
3. GENERAL TOLERANCE IS 0.5 MM UNO
4. REMOVE ALL BURRS AND SHARP EDGES
5. ALL STEEL GRADE S275
6. ALL FITTINGS GRADE S275
7. ALL BOLTS GRADE 8.8
8. FINISH - GALVANISED



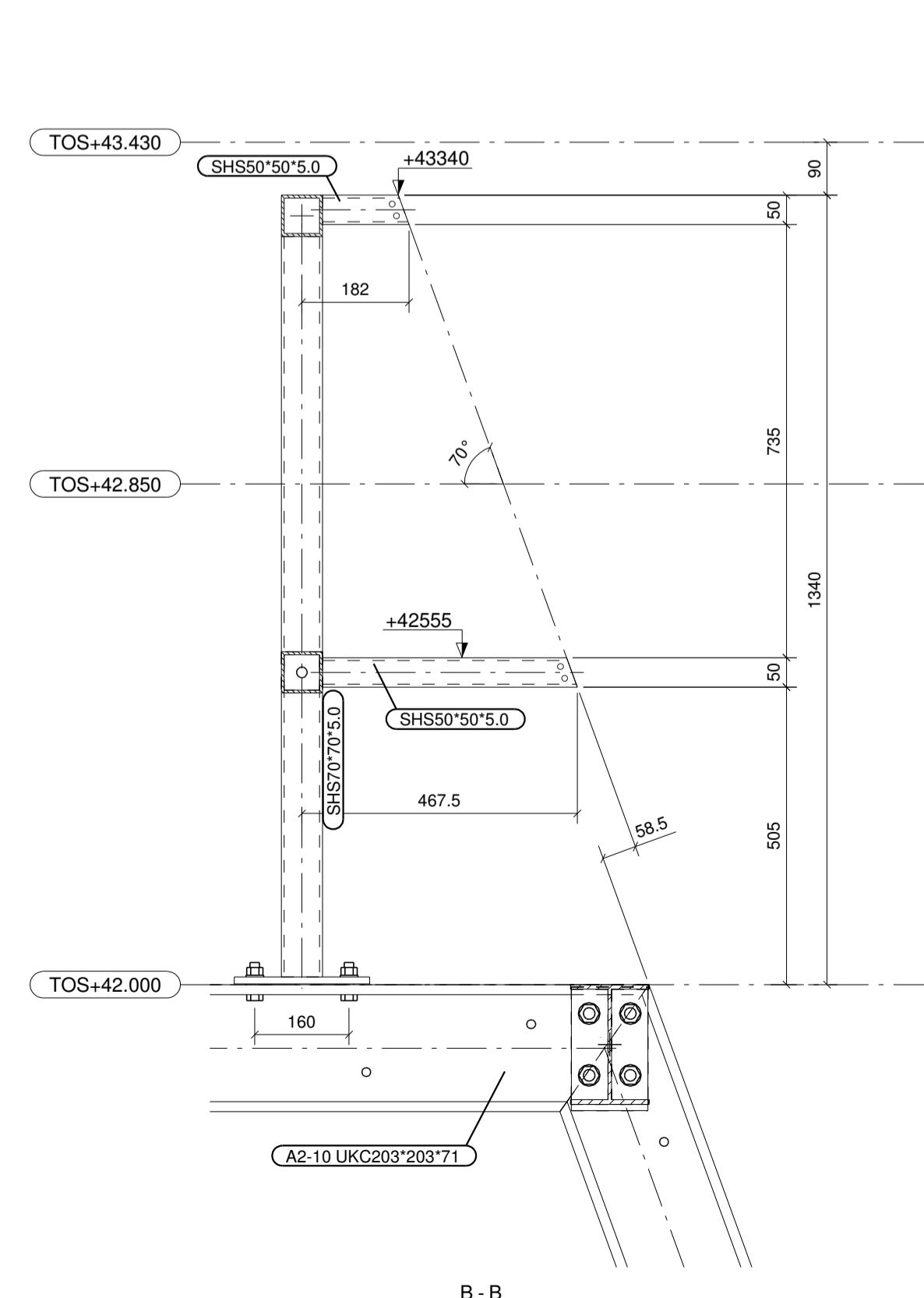
PARAPET LOUVRE PLAN+43.340  
1:30



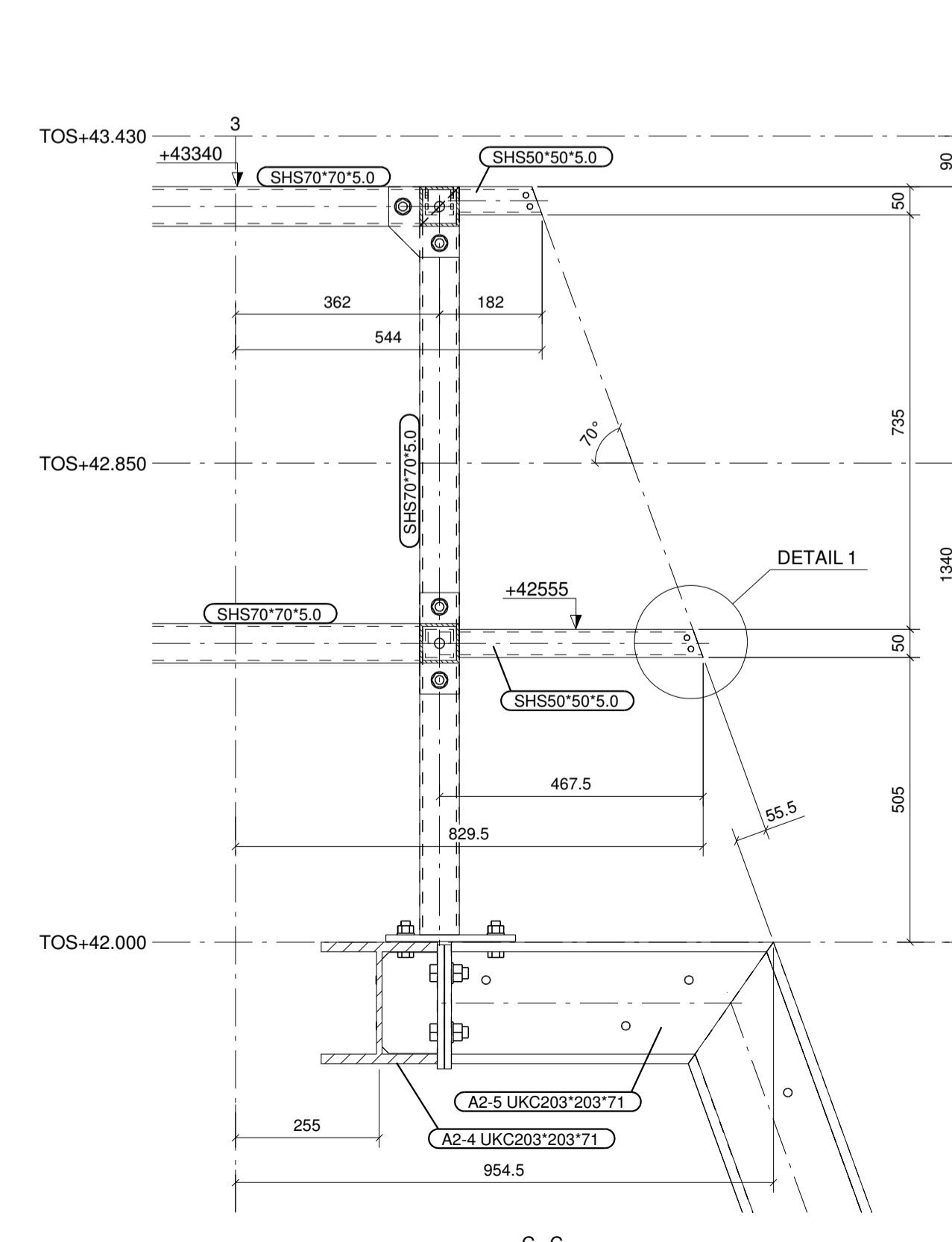
ISOMETRIC VIEW - PARAPET LOUVRE  
1:30



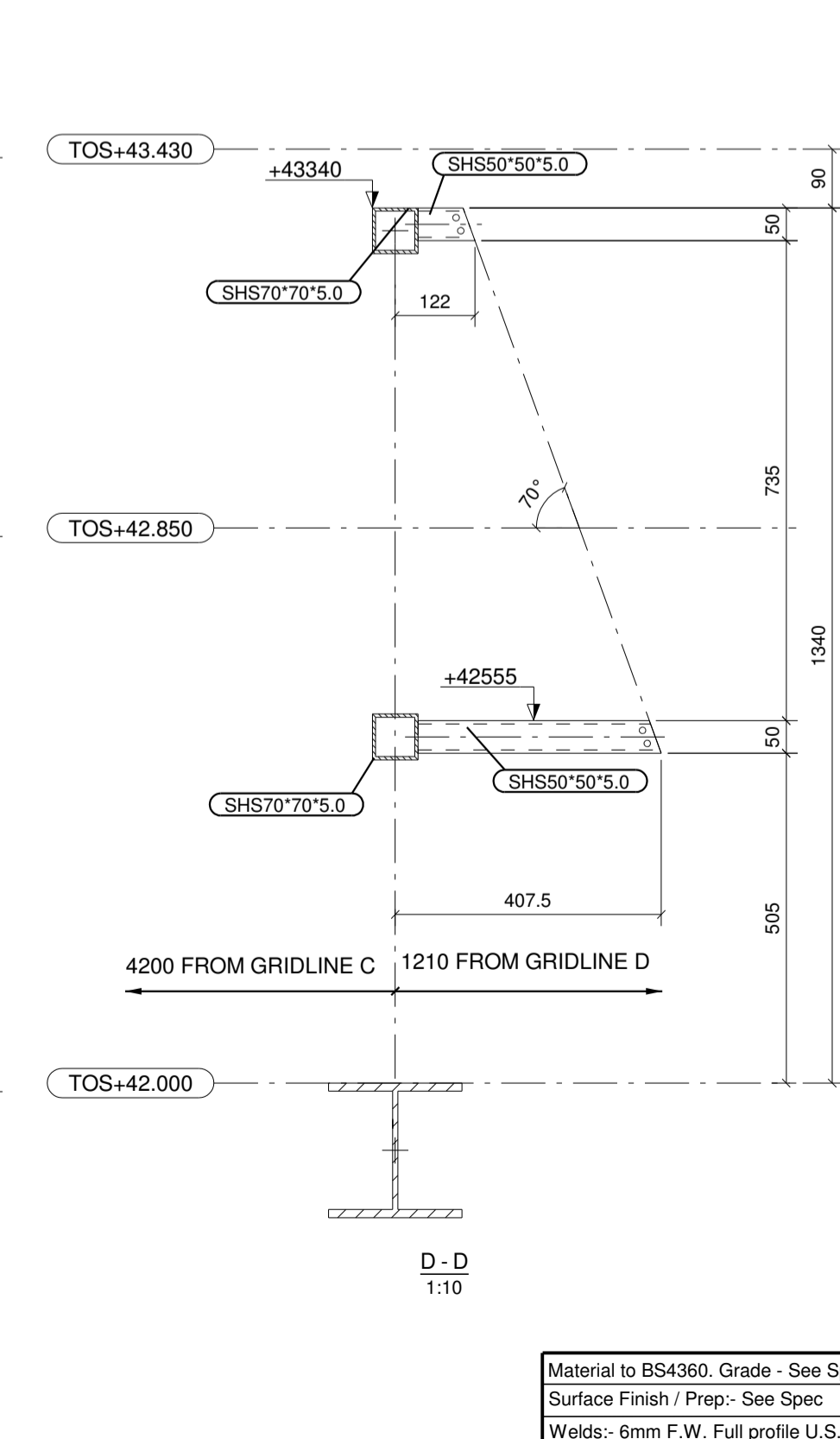
A - A  
1:10



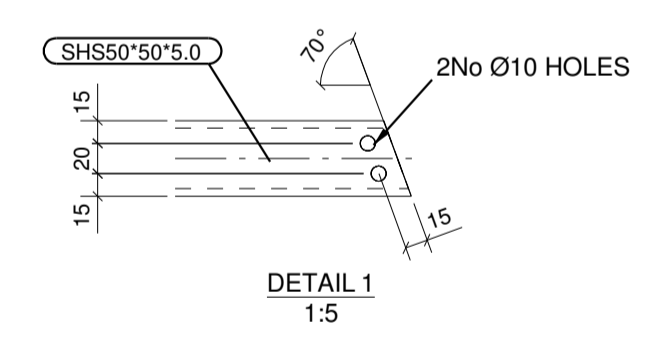
B - B  
1:10



C - C  
1:10



D - D  
1:10



DETAIL 1  
1:5

REV. MARK	REVISION DESCRIPTION	REV. DATE
3	PRODUCTION ISSUE	05.07.11
2	REVISED TO COMMENTS / FOR APPROVAL	29.06.11
1	SECTION C-C UPDATED	27.06.11
0	FOR APPROVAL / COMMENTS	08.06.11

**A C D**  
Architectural Corporate Drafting Ltd  
 9 Millhouse Close  
 Whittington  
 Oswestry  
 Shropshire  
 SY11 4NA  
 Mobile: 07711 093 578  
 Tel/Fax: 01691 654451  
 Email: info@a-c-d.co.uk

CLIENT  
**SKANSKA**  
 PROJECT DESCRIPTION  
**1-5 POLAND STREET**  
 SITE ADDRESS  
**LONDON**  
 DRAWING TITLE  
**STRUCTURAL MAIN BUILDING  
ROOF PARAPET LOUVRE - STAIR 1**  
 SECTIONS & DETAILS

SCALE 1:5 1:10 1:30	DRAWN BY <b>Andy Curran</b>	CONTACT NAME <b>Andrew Gamblen</b>
CHECKED BY <b>A. G</b>	ACD REF No: <b>A.C-D-076-01</b>	CONTRACT No: <b>C/10751</b>
DRAWING No <b>AS BUILT DRG</b>	DRAWING CREATION DATE <b>08.06.2011</b>	REVISION <b>3</b>

Material to BS4360. Grade - See Spec  
 Surface Finish / Prep:- See Spec  
 Welds:- 6mm F.W. Full profile U.S.O.